

Corner Guards

Koroseal Interior Products

Korogard® Stainless Steel Recessed Corner Guard

Important: Korogard® Stainless Steel Recessed Corner Guard must be installed prior to gypsum wall board installation. If more than one layer of gypsum wall board is to be installed (fire-rated) on wall surface, install Korogard Stainless Steel Recessed Corner Guard with last layer of gypsum wall board.

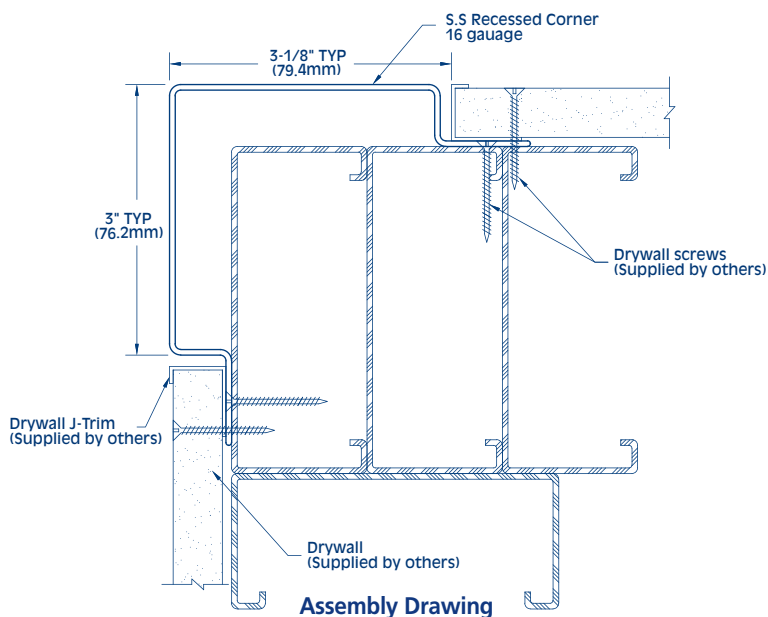
Recommended Installation Equipment: Drill/Screw Gun and Screw Bit.

Pre-Installation:

1. Korogard Stainless Steel Recessed Corner Guard is supplied in specified lengths and includes attachment holes. A peel-off plastic coating protects the finished face of the Korogard Stainless Steel Recessed Corner Guard.
2. Check material compliance with Project Specifications and for any damage that may have occurred during shipment and/or handling of the material. Material must be stored, installed, and used in a controlled environment.
3. Locate and install Korogard Stainless Steel Recessed Corner Guard in accordance with architectural drawings and specifications. When required, Korogard shop/location drawing(s) should be used in conjunction with these documents.

Installation:

1. Partially remove protective coating from screw flange.
2. Fasten Korogard Stainless Steel Recessed Corner Guard to corner studs with 3/4" (12.7mm) flat-head screws utilizing provided screw holes. Screws not included.
3. Install gypsum wall board over Korogard Stainless Steel Recessed Corner Guard mounting flange. Use drywall j-trim to finish edge of drywall. See Detail.
4. Remove remaining protective coating. Clean with dry or slightly damp cloth as necessary.
5. If you have any questions during installation, please contact your local Koroseal representative.



KOROSEAL
Interior Products, LLC

800-628-0449 • www.korogard.com • Division 10 26 00

Korogard® is a registered trademark of Koroseal Interior Products, LLC