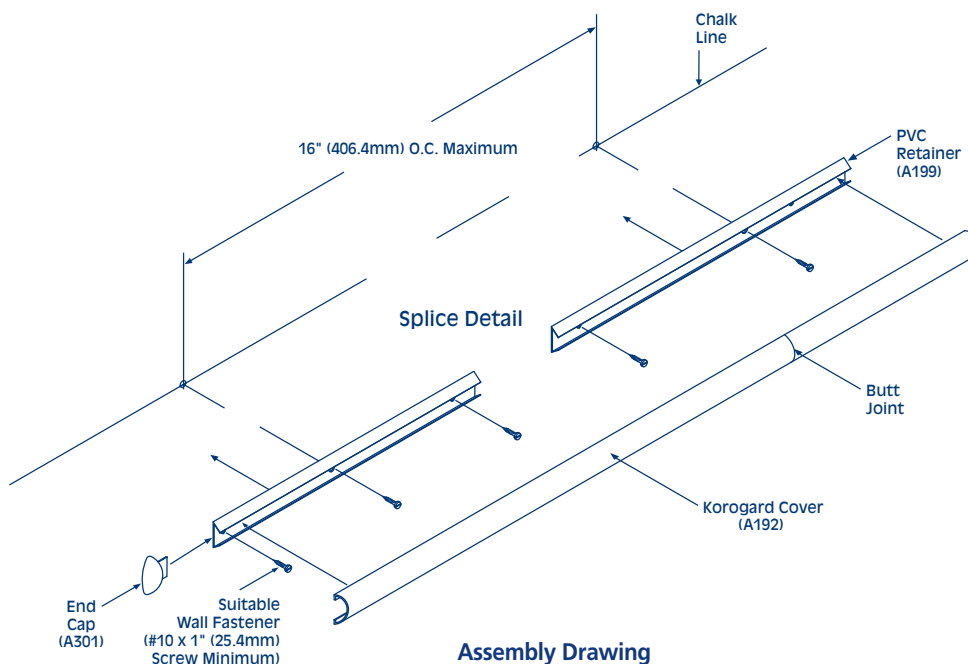


# Crash Rails/Bumper Guards

## KOROSEAL Wall Protection Systems Korogard® B300-Series Bumper Guard

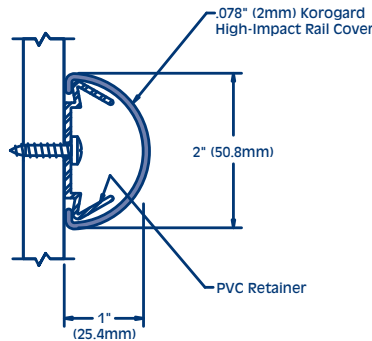
1. Locate and install **Korogard®** Bumper Guard in accordance with architectural drawings and specifications. When required, **Korogard** shop drawings should be used in conjunction with these documents.
2. Lay out the work to be completed, including all component parts, along the base of the substrate (wall). Check the material for any damage that may have occurred during shipment and/or handling at the job site.
3. Snap a chalk line at the proper location on the substrate to ensure a level installation. Chalk line should be calculated to the center line of the wall fasteners.
4. Determine Bumper Guard end locations on substrate. Mark and cut retainer to appropriate length. Field drill proper size holes along center of retainer 3/4" (19.05mm) in from each end (for the end cap flange and retainer) and at intermediate locations along the retainer not exceeding 16" (406.4mm) O.C.
5. Place the retainer in the proper position on chalk line and attach, with end caps, to wall with proper fasteners (not included).  
**Note: Prior to installation of the Korogard cover, make sure that all fasteners are secure and properly seated.**
6. Determine the distance from inside of end cap to inside of end cap. It is recommended that the cover be cut very slightly oversized to provide tight fit at caps. Cut **Korogard** cover cleanly and squarely to appropriate length.
7. Hold the **Korogard** cover at an angle and place the top of the cover behind the top of the retainer. Make sure that the cover is placed in the proper position and snap fit the **Korogard** cover onto the PVC retainer by placing hands downward and applying pressure with the heel of each hand to force the cover onto the retainer. Continue along until the complete length of the cover is securely installed.
8. If you have any questions during installation, please call your local **Korogard** representative.



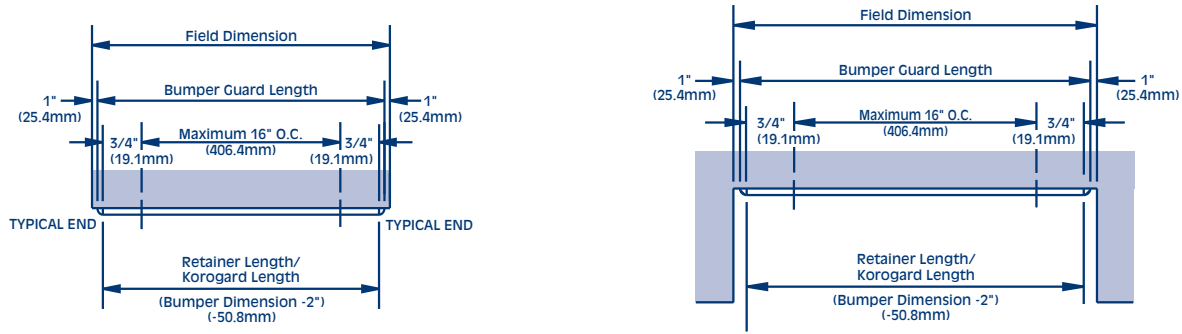
# Crash Rails/Bumper Guards

## KOROSEAL Wall Protection Systems Korogard® B300-Series Bumper Guard

### Installation Dimensions for B300-Series Bumper Guard



Model B300



Typical Straight Length

Typical Straight Length  
with Typical Ends

