

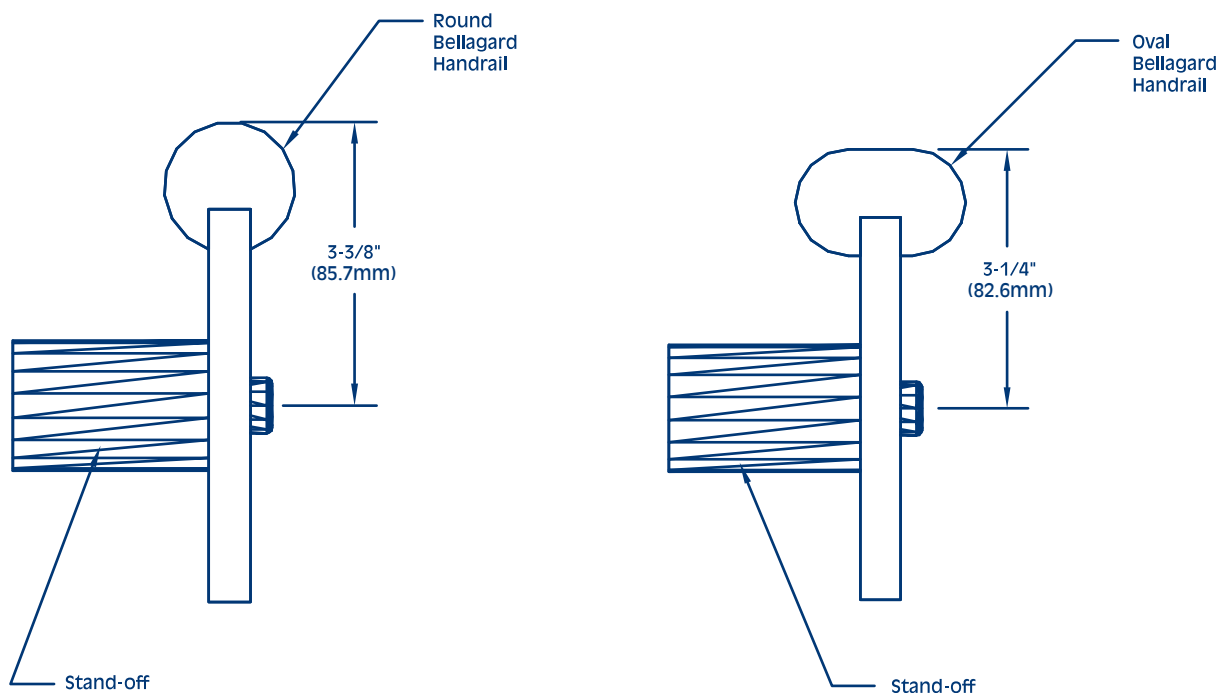
KOROSEAL Wall Protection Systems Bellagard Handrails

Recommended Installer Qualifications: Only those parties experienced in working with finished fine wood products should engage in installing **Bellagard®** Handrails.

Recommended Installation Equipment: Tape Measure, Level, Chalk Line, Drill, Drill Bits, Screwdriver, Removable Marker, Cleaning Cloth, Suitable 1/4" (6.35mm) x 5" (127mm) Lg. Mounting Fasteners, and Glues (Wood/PVC/"Super").

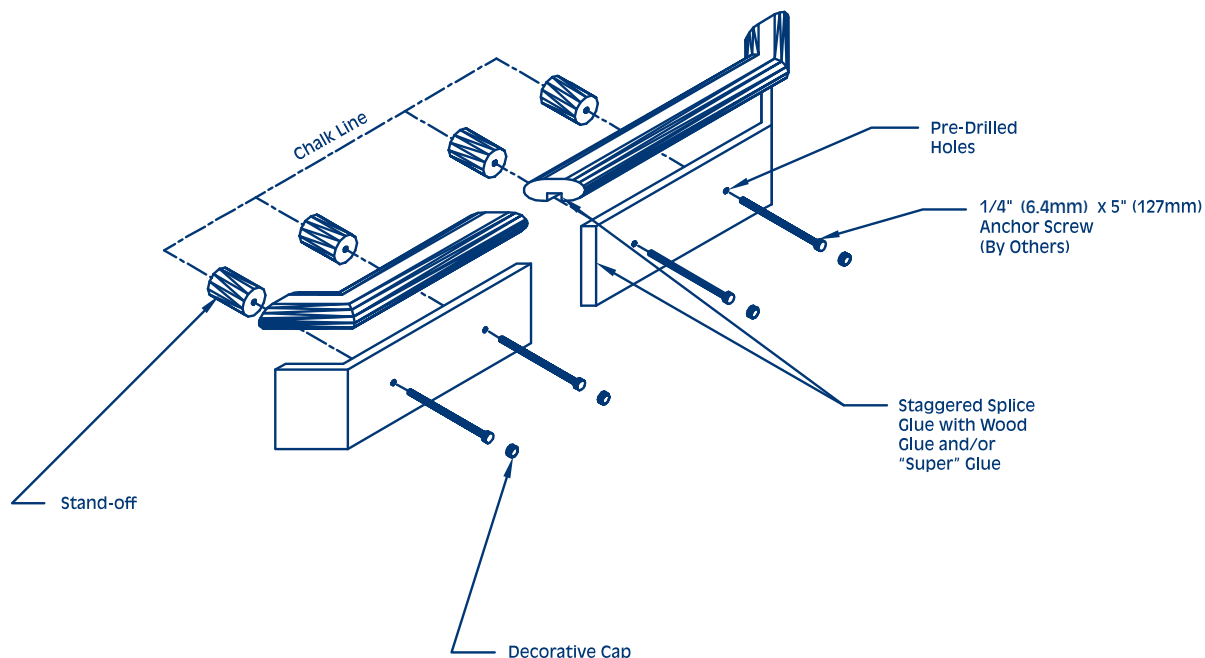
1. **Bellagard** Handrail is supplied in factory-fabricated sections per provided cut-list. Each supplied section is marked with a unique identifier in accordance with the identifier assigned per the cut-list. A copy of this cut-list is included with the product shipment for reference.
2. In accordance with architectural drawings and specifications, locate and install **Bellagard** Handrail sections per cut-list-coordinated and referenced floorplan rail location drawing. When required and supplied, **Korogard** shop drawings should be used accordingly.
3. Lay out work to be completed, including all component parts, along base of substrate (wall). Check material for any damage that may have occurred during shipment and/or handling at job site.
4. Snap chalk line at proper location on substrate to ensure level installation. Chalk line should be calculated to centerline of mounting blocks and wall fasteners.

Note: Chalk line and reference marks will be visible after installation and must be removed at clean-up.



KOROSEAL Wall Protection Systems Bellgard Handrails

- Determine lengths of rail section and applicable wall surface. Locate rail section right-to-left in accordance with these dimensions and related installation drawings and specifications. Ensure that rail section is identified and dimensioned correctly. Reference-mark chalk centerline appropriately.
- Bellgard®** Rail sections are supplied pre-drilled for anchoring to wall. Temporarily hand-place rail section into proper position on wall. Transfer and mark anchor hole locations on chalk centerline.
Note: Rail must be anchored to wall framing structure. Ensure that anchor location coincides with provided horizontal wall structure blocking/back-up.
- Drill appropriately sized holes through wall surface into the structural framing using proper bit size for selected fasteners.
- Mount rail assembly to wall using proper fasteners (supplied by installer). Tighten securely. Where splices occur, stagger component joints accordingly and glue wood parts using wood glue, plastic parts using multi-purpose PVC cement, and solid-surface parts using cyanoacrylate (e.g. "Super") glue.
Note: Ensure all fasteners are secured and properly seated.
- If decorative screw caps are supplied, include when fastening and attach accordingly.
- Clean **Bellgard** Handrail using water-moistened cloth. If necessary, use the **Korowood™** Touch-Up Kit provided to repair stained wood where minor damages or blemishes may have occurred during handling and installation. Touch-Up Kits are not provided for "clear varnish" finished rails. Use Minwax® brand "Satin Sheen Polyurethane" or equal to overcoat repairs to all finishes.
- If there are any questions, please call **800-628-0449** for assistance.



800-628-0449 • www.korogard.com • Division 10 26 00

Bellgard® and Korowood™ are registered trademarks and trademarks of RJF International Corporation.

KOROSEAL Wall Protection Systems Bellagard Handrails

