

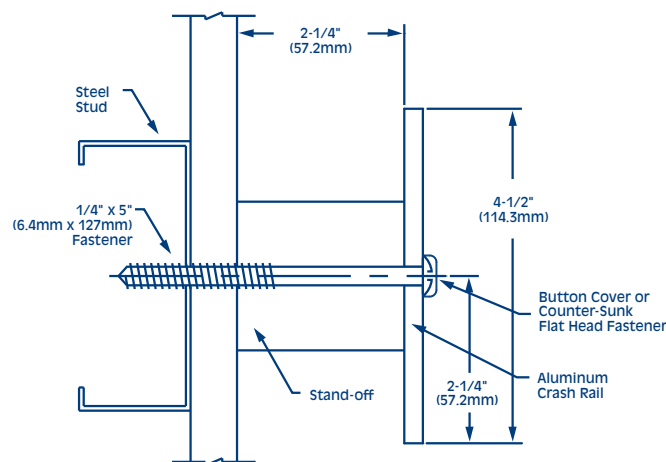
Crash Rails/Bumper Guards

KOROSEAL Wall Protection Systems Korogard® CS45 Crash Rail

Recommended Installation Equipment: Tape Measure, Level, Chalk Line, Drill, Drill Bits, Screwdriver, Removable Marker, Cleaning Cloth, and Suitable 1/4" (6.35mm) x 5" (127mm) Lg. Mounting Fasteners

1. CS45 Crash Rail is supplied in factory-fabricated sections per provided cut-list. Each supplied section is marked with a unique identifier in accordance with the identifier assigned per the cut-list. A copy of this cut-list is included with the product shipment for reference.
2. In accordance with architectural drawings and specifications, locate and install CS45 Crash Rail sections per cut-list-coordinated and referenced floor-plan rail location drawing. When required and supplied, **Korogard®** shop drawings should be used accordingly.
3. Lay out work to be completed, including all component parts, along base of substrate (wall). Check material for any damage that may have occurred during shipment and/or handling at job site.
4. Snap chalk line at proper location on substrate to ensure level installation. Chalk line should be calculated to centerline of mounting blocks and wall fasteners.

Note: Chalk line and reference marks will be visible after installation and must be removed at clean-up.



Model CS45

Crash Rails/Bumper Guards

KOROSEAL Wall Protection Systems Korogard® CS45 Crash Rail

- Determine lengths of rail section and applicable wall surface. Locate rail section right-to-left in accordance with these dimensions and related installation drawings and specifications. Ensure that rail section is identified and dimensioned correctly. Reference-mark chalk centerline appropriately.
- CS45 Crash Rail sections are supplied pre-drilled for anchoring to wall. Temporarily hand-place rail section into proper position on wall. Transfer and mark anchor hole locations on chalk centerline.
- Drill appropriately sized holes through wall surface into the structural framing using proper bit size for selected fasteners.
- Mount rail assembly to wall using proper fasteners (supplied by installer). Tighten securely. Where splices occur, hold joints together as tightly as possible.
Note: Ensure all fasteners are secured and properly seated.
- If decorative screw caps are supplied, include when fastening and attach accordingly.
- Clean Crash Rail using water-moistened cloth.
- If you have any questions during installation, please contact your local **Korogard®** representative.

