

# Crash Rails/Bumper Guards

## KOROSEAL Wall Protection Systems Korogard® CS5F & CS55 Crash Rail

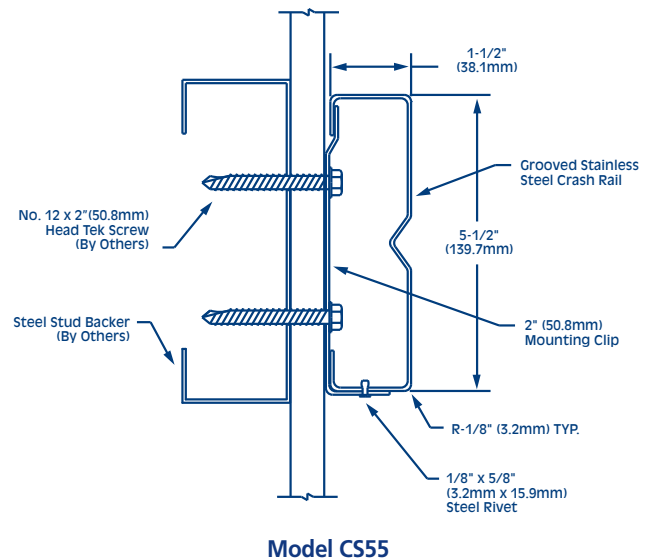
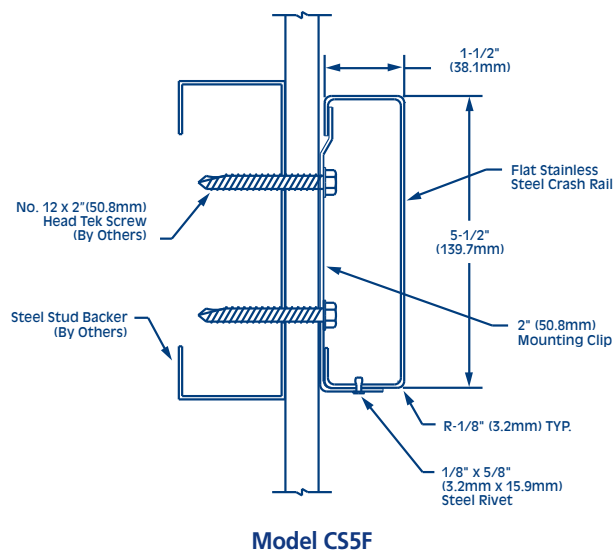
**Recommended Installer Qualifications:** Only those parties experienced in working with finished products should engage in installing CS5F and CS55 Crash Rails.

**Recommended Installation Equipment:** Tape Measure, Level, Chalk Line, Drill, Drill Bits, 1/8" (3.18mm) Rivet, Rivet Gun, Cleaning Cloth.

1. CS5F and CS55 Crash Rails are supplied in factory-fabricated sections per provided cut-list. Each supplied section is marked with a unique identifier in accordance with the identifier assigned per the cut-list. A copy of this cut-list is included with the product shipment for reference.

**Note: Rails come pre-assembled with end plates.**

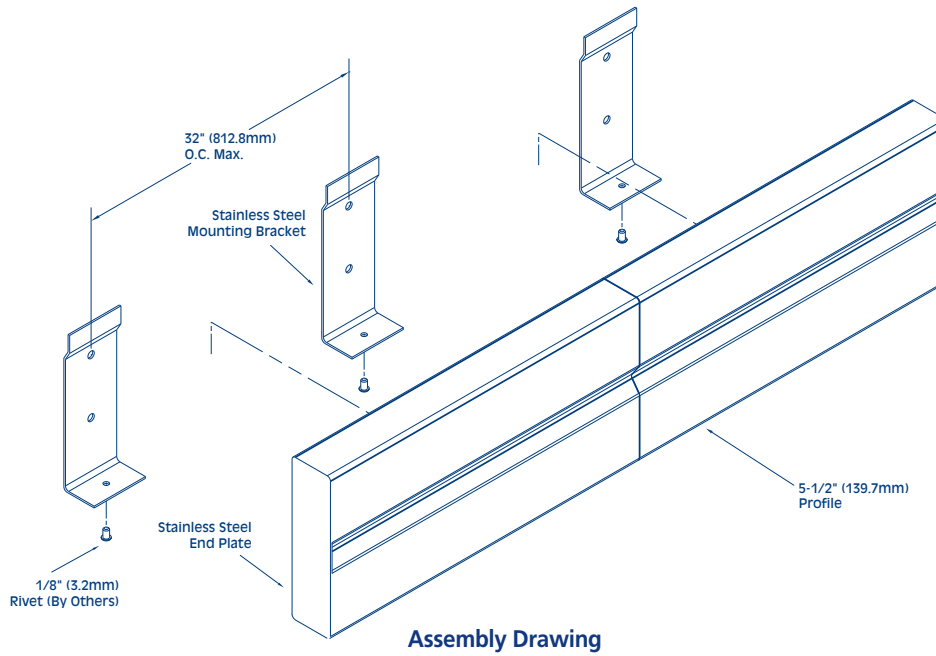
2. In accordance with architectural drawings and specifications, locate and install CS5F and CS55 Crash Rail sections per cut-list-coordinated and referenced floor-plan crash rail location drawing. When required and supplied, **Korogard®** shop drawings should be used accordingly.
3. Layout work to complete, including all component parts along base of substrate (wall). Check material for any damage that may occurred during shipment and/or handling at job site.
4. Snap caulk line at proper location on substrate to ensure level installation. Chalk line should be calculated to the top of crash rail when mounted.
5. Mark and drill properly sized holes for proper mounting screws. Mount retainer clips and tighten screws.
6. Position crash rail on the mounting clips. Mark then drill 9/64" (3.57mm) holes in the bottom of the crash rail.
7. Position crash rail for final installation, secure with 1/8" (3.18mm) rivets.
8. If you have any questions during installation, please contact your local **Korogard** representative.



# Crash Rails/Bumper Guards

## KOROSEAL Wall Protection Systems Korogard® CS5F & CS55 Crash Rail

### Installation Dimensions for CS55 Crash Rail



**KOROGARD®**  
WALL PROTECTION SYSTEMS