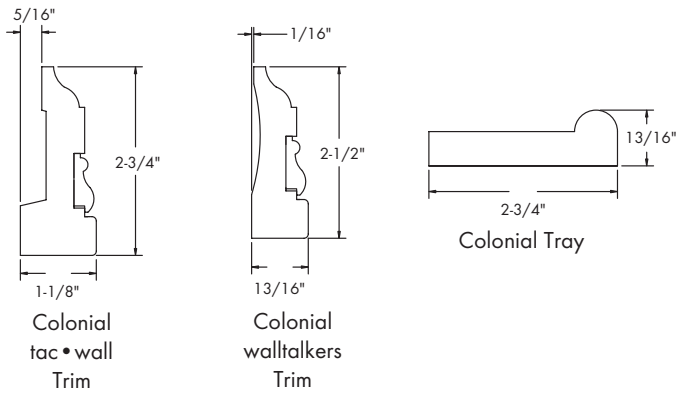
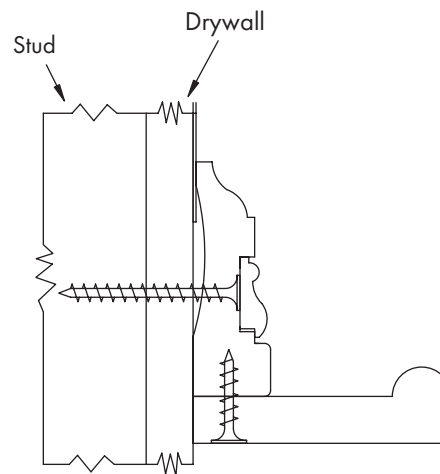
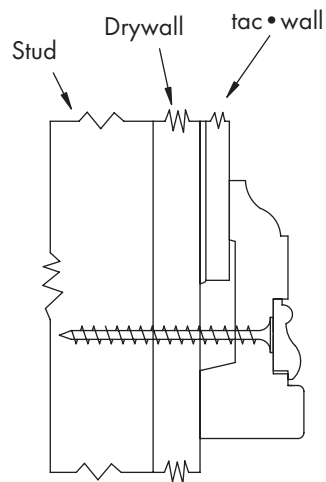


**Note: Follow the same instructions for walltalkers® or tac•wall® t**



1. Examine goods to assure quantity and quality are as ordered. Lay out all the work to be completed along the base of the wall. The parts will include those supplied by walltalkers and those the installer must supply. Walltalkers supplies the wood trim (with wood insert) and tray in the quantities ordered. The installer must supply the mounting hardware, wood filler, and touch-up finish. All trim should be installed with condition appropriate hardware 16" on center, slightly offset from the trim hardware locations, as show below on the right.
2. Install the walltalkers or tac•wall material prior to the trim and/or tray. Overlap the edges of the dry erase or tackable material with the trim. Overlapping will ensure a good appearance for the finished product.

3. Measure, mark, and cut the wood trim pieces to size. The interior dimension of the finished trim pieces should be 1" to 1-1/2" shorter than the perimeter measurement of the dry erase or tackable surface. See the reverse side of this page for an illustration. Use a miter saw to cut the corners at 45° angles, similar to a picture frame. For best results, cut the wood trim and wood insert simultaneously (double-sided tape may be used to securely hold the insert in place). A low profile hook and loop fastening system may be used to hold the insert in place for this operation, and to secure the insert in place on the wall to finish the trim system. Assure the finished trim pieces are square prior to gluing and mechanically fastening to the wall. Remove the wood insert to install the trim.
4. For walls with wood backing or studs, begin installing the trim pieces with #10 X 2" flat head wood or sheet metal screws, 2-1/2" for tac•wall version. Mark holes at each stud or 16" on center with solid wood backing, centered in the channel as shown above. The vertical wood pieces of trim may require the use of drywall anchors to securely fasten the wood to the wall. Pre-drill, using a 1/8" bit, through the trim at every mark. Use a countersink bit to make a slight indentation at each screw hole. Begin installing the trim with the recommended screws. For the bottom trim piece, screws must make a solid contact with the wall studding or wood backing to properly support the marker tray. For installations on cement, block, or other substrate, use condition appropriate hardware (i.e. masonry anchors, self-tapping screws, etc.).



**colonial wood trim & tray installation instructions**

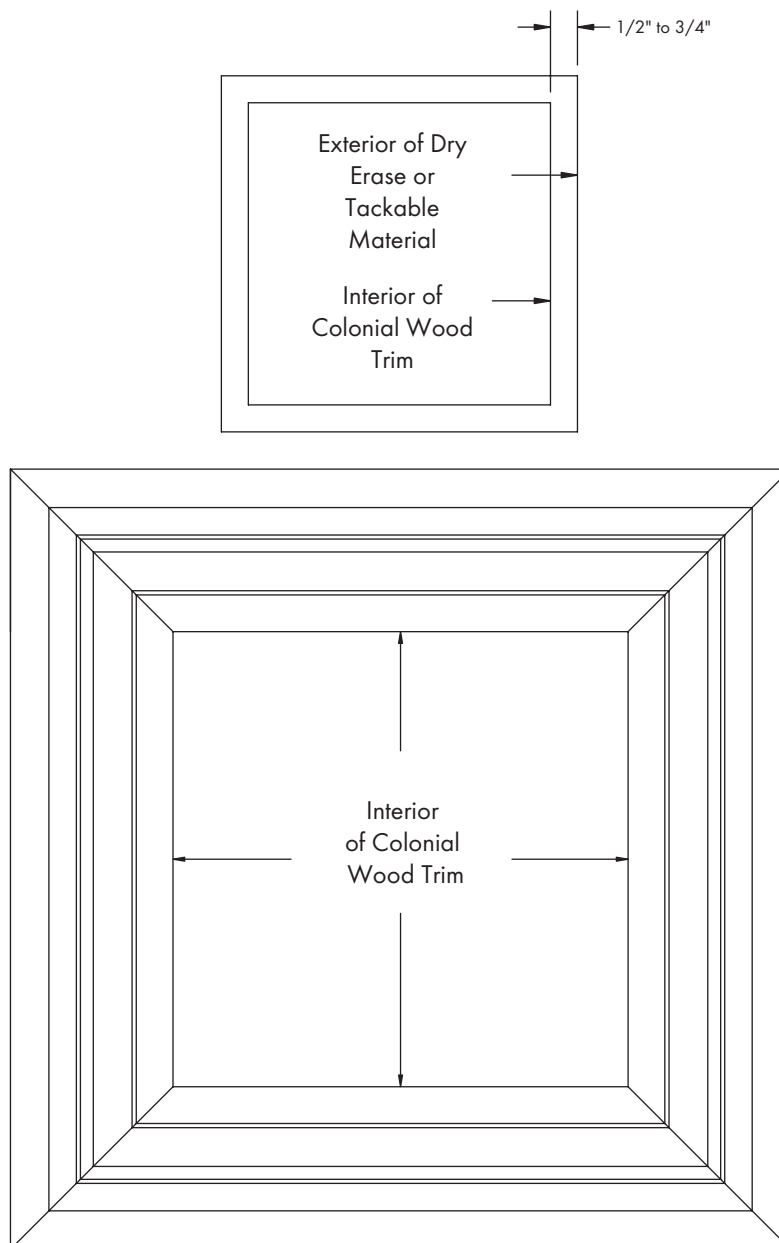
[www.walltalkers.com](http://www.walltalkers.com)

**walltalkers**

a division of Koroseal Interior Products, LLC

5. Adhere the wood insert into place. If a low profile hook and loop fastening system was used while cutting the trim to size, reinstall the insert by pressing back into place. Otherwise, use a hot glue gun and apply a few drops of a wood glue stick on the back of the insert and press into place. Make sure the glue or tape is recommended for use on wood products.
6. Some walltalkers installations will require a full length marker tray, terminating at the outside edges of the colonial wood trim. Outside edges of the tray can be finished on site in a number of ways. The edges can be left as a blunt end or mitered to a 45° angle. Terminations should then be finished with a similar stain and clear coated with a satin, urethane finish.

7. Install the tray with #10 X 1" wood screws, as shown in the diagram on the opposite side of this page. Like the trim installation, predrill 1/8" holes and again use the countersink bit to create small cavities to hide the screw heads. Install wood screws every 16" on center slightly offset from the trim installation hardware.
8. If a splice is required for the trim or tray, miter the mating pieces of wood at a 45° angle. The finished splice will be similar to a wood baseboard or casing molding splice. Apply a small amount of the wood glue between the two pieces of trim and finish installing as recommended above.



## colonial wood trim & tray installation instructions

[www.walltalkers.com](http://www.walltalkers.com)

**walltalkers**

a division of Koroseal Interior Products, LLC

3875 Embassy Parkway  
Fairlawn, OH 44333-8333  
Ph: 800.820.9255 • Fax: 330.688.7703

® is a registered trademark of Koroseal Interior Products, LLC

7075WDC1111 10/14