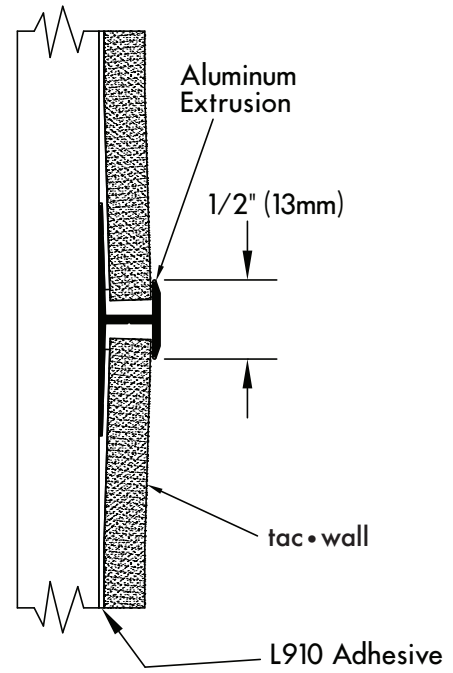
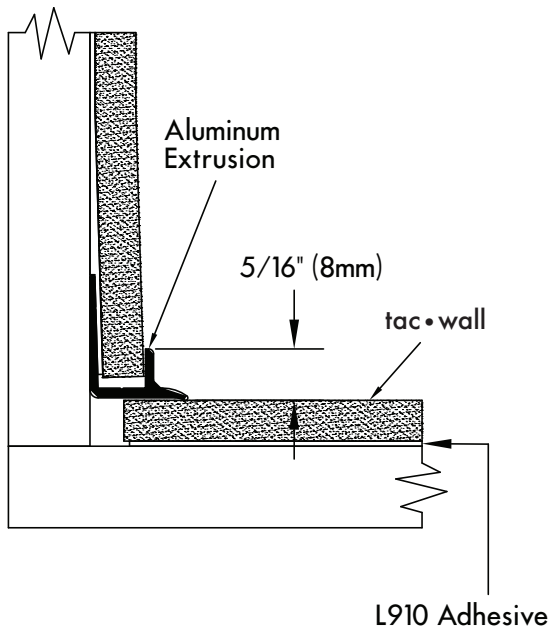


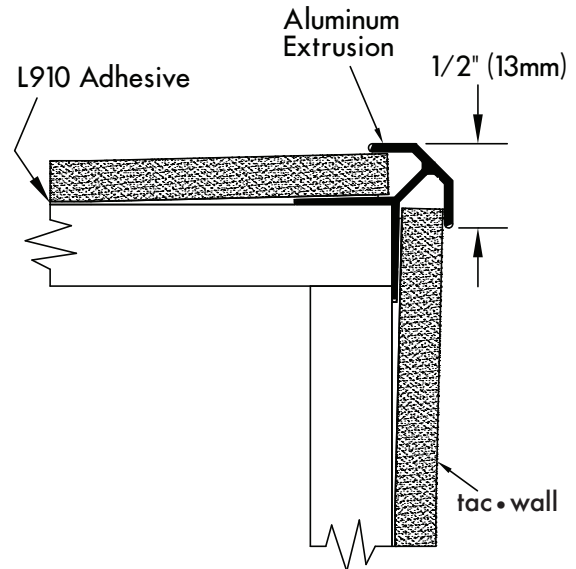
**J Trim**



**H Trim**



**Inside Trim**



**Outside Trim**

Aluminum trim may be mechanically fastened with self-tapping drywall screws or bonded with L910 adhesive or construction adhesive.



**tac • wall® aluminum trim installation instructions**

[www.walltalkers.com](http://www.walltalkers.com)

**walltalkers**

**a division of Koroseal Interior Products, LLC**

3875 Embassy Parkway  
Fairlawn, OH 44333-8333  
Ph: 800.820.9255 • Fax: 330.688.7703

© is a registered trademark of Koroseal Interior Products, LLC

7075STAT1111 10/14