

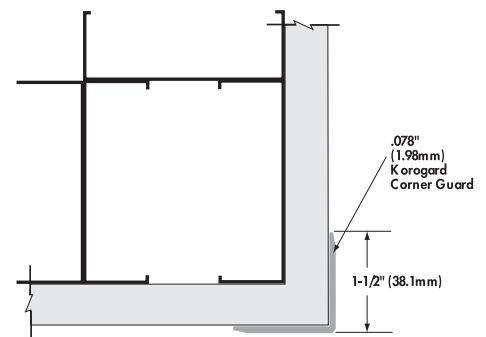
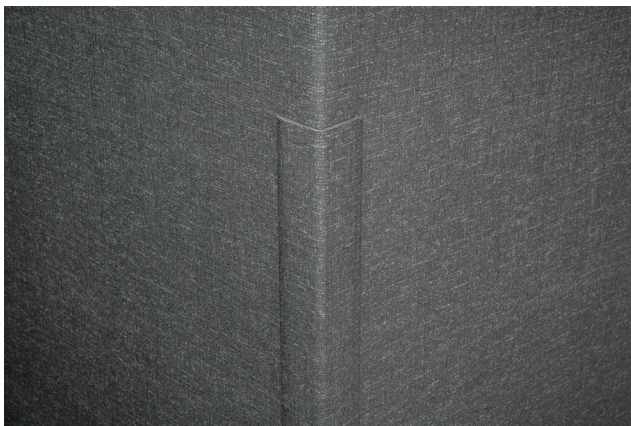
GW15 WALLCOVERING-WRAPPED CORNER GUARD



Korogard GW15 Wallcovering-Wrapped Corner Guards provide protection for low- to medium-impact environments while adding another level of design flexibility. The corner guard is .078" (1.98mm) thick extruded vinyl with a 1-1/2" (38.1mm) wing and can be combined with a multitude of Koroseal products for a systems approach to wall protection. The wallcovering-wrapped corner guard opens the door to endless design possibilities. Mix and match with Korogard's vast selection of wallcovering solutions to achieve an attractive finished look to any installation.

Korogard GW15 Wallcovering-Wrapped Corner Guards are backed by a limited one-year warranty. All Corner Guards are Class A fire rated and meet national building code standards.

For more information on Korogard Corner Guards or the Koroseal Wall Protection System, please call your local Korogard distributor



GW15

GW15 WALLCOVERING-WRAPPED CORNER GUARD



SECTION 10 26 00 CORNER GUARDS

PART 1 - GENERAL

1.1 SECTION INCLUDES

- A. 1½" (38.1mm) x 1½" (38.1mm) Wall-Wrapped Corner Guards.

1.2 SUBMITTALS

- A. Submit in accordance with Section 01 33 00 - Submittals
- B. Product Data: Submit manufacturer's product data.
- C. Samples: Submit 12" (304.8mm) long sample of each pattern specified, for Architect's approval.
- D. Test Reports: Submit manufacturer's test reports and certification indicating compliance with applicable building code requirements.

1.3 QUALITY ASSURANCE

- A. Comply with NFPA 101® for interior finish materials. Smoke developed less than 450 and flame spread of 25 or less in accordance with ASTM E 84.

1.4 DELIVERY, STORAGE, AND HANDLING

- A. Delivery: Deliver materials to site in manufacturer's original, unopened containers and packaging with labels clearly indicating product name and manufacturer
- B. Storage: Store materials indoors in a clean, dry area protected from damage and in accordance with manufacturer's instructions.
- C. Handling: Protect materials during handling and installation to prevent damage.

PART 2 - PRODUCTS

2.1 MANUFACTURER

- A. Koroseal Wall Protection Systems, A Division of Koroseal Interior Products.

2.2 CORNER GUARDS SYSTEMS

- A. Koroseal "Korogard" GI00-Series Corner Guard: Wallcovering-Wrapped Corner Guard adhered to substrate corner with adhesive. Exposed surfaces shall be free of wrinkling, chipping, discoloration, or other imperfections.
 - 1. Dimensions
 - a. Leg Length: 1½" (38.1mm).
 - b. Height: 96" (2.44m).
 - c. Angle: 90°.
 - 2. Profile: Decorative Wallcovering-Wrapped Extrusion. Pattern as selected and specified from manufacturer's offering.
 - 3. Extrusion: High-impact vinyl acrylic extrusion, nominal .078" (1.98mm) thick. Class A fire rating, when tested in accordance with ASTM E 84.
 - 4. Adhesion: Manufacturer recommended contact cement or construction adhesive.

PART 3 - EXECUTION

3.1 EXAMINATION

- A. Verify by examination that wall surfaces are acceptable to receive the specified guard systems. Notify the Architect in writing if wall surfaces are not acceptable. Do not begin installation until unacceptable conditions have been corrected.

3.2 INSTALLATION

- A. Install Corner Guards to walls securely in accordance with manufacturer's written instructions.
- B. Install Corner Guards accurately in location, alignment and elevation