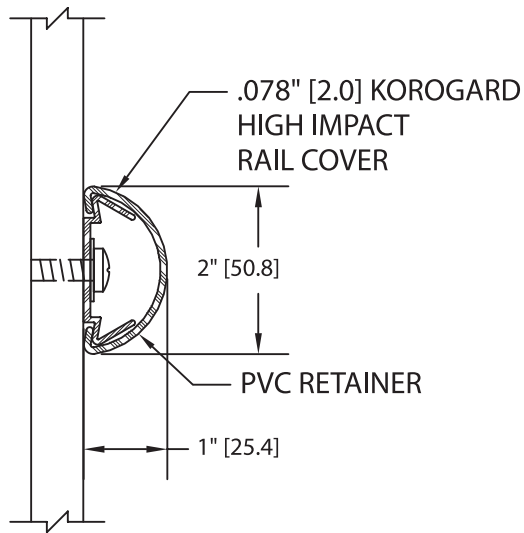


B300-SERIES BUMPER GUARDS

NOTE:

1. WRAPS OUTSIDE CORNER, MITRED INSIDE CORNER OR TERMINATE WITH END CAP.



B300, BUMPER GUARD

SCALE: 1:2