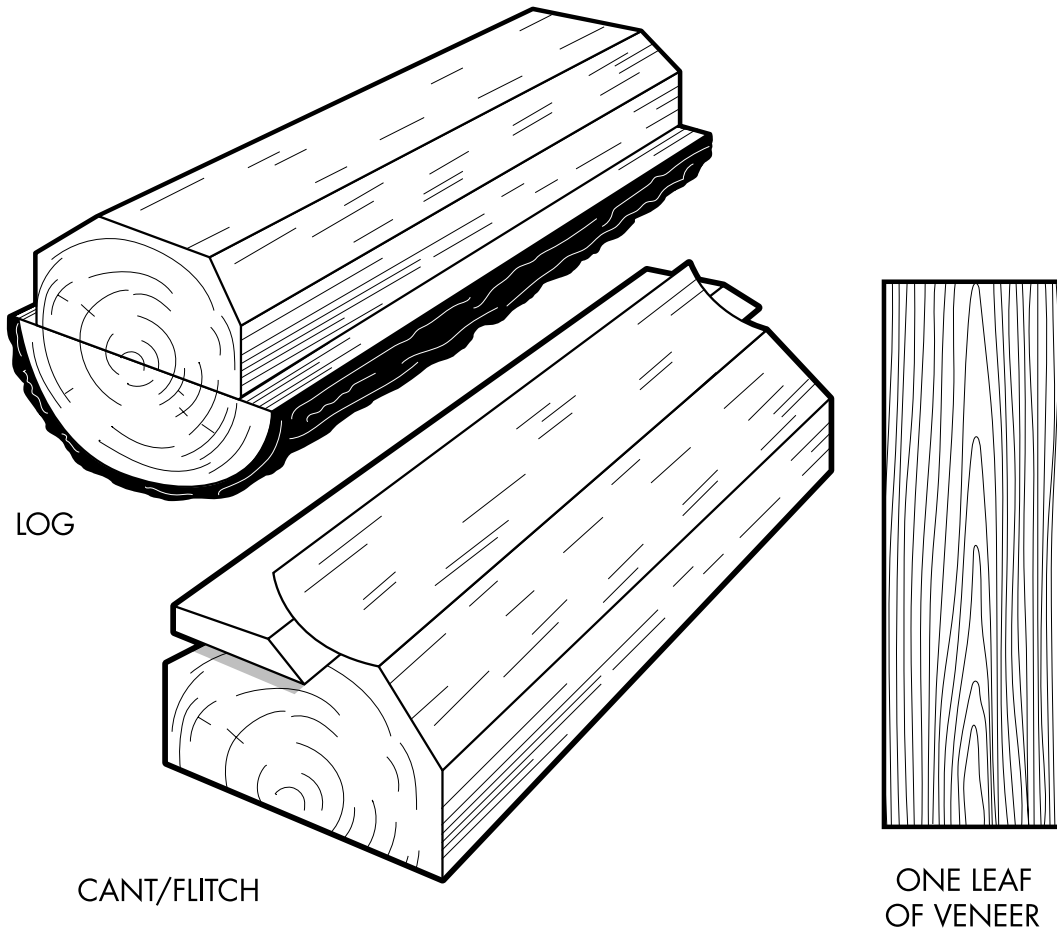


**FLAT CUT  
(PLAIN SLICE, CROWN CUT,  
CATHEDRAL PATTERN)**



A grain figure resulting from slicing or sawing across a half of a log. This results in the oval or loop grain effect (aka cathedral pattern) in the center of the flitch with straighter grain along the edge.



LOG

CANT/FLITCH

ONE LEAF  
OF VENEER