



KOROSEAL[®]

WALL PROTECTION

INSTALLATION MANUAL

CONTENTS

Tool Selection	1
Product Storage & Temperature Requirements	2
Material Preparation	3
Wall Preparation	4
Dry Fitting Sheets	5
Adhesive Application - Mastic Adhesive	7
Adhesive Application - Contact Adhesive	8
Adhesive Application - Spray-Lock	9
Sheet Installation	10
Accessory Installation & Application	11
Post Installation & Cleaning	12
Limited Warranty	14

For Spray-Lock® or 3M Fastbond™ Applications (Smooth Surfaces only):

- Paint/Primer (if necessary)
- Approved Adhesive
- Short nap paint roller and tray/Trim brush (contact adhesive)
- Chalk Line
- Laser Level/Level
- 4-8 mil Polyethylene, Kraft Paper, Scrap Korogard, for slip sheeting (contact adhesive)
- Crain #333 High Pressure Roller or equivalent
- Heavy-duty Razor Knife and Replacement Blades
- Straight Edge
- Caulk Gun
- Painters Tape
- Clean Cloths
- Water

For XT2000+ Mastic Applications (Rough and Smooth Surfaces):

- Paint/Primer (if necessary)
- Approved Adhesive
- Mason's Stone
- Chalk Line
- Laser Level/Level
- Notched Trowel – 1/16" x 1/16" x 1/16" (1.6mm x 1.6mm x 21.6mm) Square-Notched (Smooth surfaces or .030 or thinner material)
- Notched Trowel – 1/8" x 1/8" x 3/32" (3.2mm x 3.2mm x 2.4mm) U-Notched (Rough surfaces or .030 or thicker material)
- Crain #333 High Pressure Roller or Equivalent
- Heavy-duty Razor Knife and Replacement Blades
- Straight Edge
- Caulk Gun
- 1" Putty Knife
- Painters Tape
- Clean Cloths
- Water

Optional Tools:

- Circular Saw
- Jig Saw/Rotary Tool

PRODUCT STORAGE AND TEMPERATURE REQUIREMENTS



Product Storage:

Proper storage conditions are ESSENTIAL to the successful installation of your Korogard® Protective Wallcovering. This product is subject to dimensional changes (expansion/contraction) and deformation if not stored correctly and within the recommended temperature range.

Flat Sheet:

- Material should be stored flat in a clean dry area
- Store product in original containers (make sure they are not damaged)
- Avoid direct sunlight
- Maintain a temperature between 65°F (18°C) and 80°F (27°C)

Rolled Sheet:

- Unroll and pre-cut sheets as soon as possible
- Large sheets present handling and installation challenges. A maximum sheet length of 16' (4.9m) is recommended
- Reverse roll the sheets to help flatten the material
- Avoid direct sunlight
- Maintain a temperature between 65°F (18°C) and 80°F (27°C)

Product Acclimation & Temperature Requirements:

In addition to the proper storage requirements outlined above, your Korogard® sheets and adhesives should be fully acclimated to the controlled installation area.

- Store material and adhesive in the installation environment for a minimum of 48 hours prior to installation
- Maintain temperature between 65°F (18°C) and 80°F (27°C) and a relative humidity level not to exceed 80%
- A constant temperature (+/- 10°) and humidity level (<80%) should be maintained in the installation environment for 48 hours prior, all during, and at least 72 hours after completion of the total installation
- Even after installation is complete, exposure to elevated humidity, temperatures over 80°F (27°C), direct sunlight, or other radiant heat sources may cause blistering, distortion or delamination of material

RECOMMENDED TEMPERATURE RANGES °F (°C)

	30 (-1)	40 (4)	50 (10)	60 (16)	70 (21)	80 (27)	90 (32)	100 (38)
Product Storage								1.45
Before Installation								
During Installation & for 72 Hours After								
Lifetime	NOT TO FLUCTUATE MORE THAN 10°							

Handling:

- Careless handling of Korogard® sheets can result in permanent damage such as “kinks”
- Sheets should be handled by two people at all times

Cutting:

- Thinner gauges (.028, .030, .040) may be cut with a utility knife and straight edge. A few passes along the straight edge may need to be made to cut clean through
- Thicker gauges (.060, .080) may be cut with a utility knife and straight edge. Make a few passes along the straight edge to cut about ½ way through. Place the scribed line along a hard edge and apply downward pressure carefully with you hand break the rest of the way through

Sawing:

- Korogard® sheets can be cut with most common types of power saws. Circular saws can be used for straight cuts, jig saws can be used for curved cuts
- Edges may need to be lightly sanded to clean off any burrs
- Edges being cut should be well supported
- Standard blades are preferred over carbide tipped ones

Drilling:

- Holes may be drilled in Korogard® sheets using standard high speed drills
- It is important to support the area being drilled to prevent damage to the sheet

Routing:

- Portable routers may be used for cutting multiple sheets to size. Usually a jig is constructed on site into which sheets are placed, measured, marked, and cut using the router

General Notes:

Excessive moisture can cause mold and mildew to grow. It can also cause primers that aren't well bonded to release from the wall. A surface moisture reading of 4% or less is required.

All surfaces should be smooth, free of dirt and grease. Glossy surfaces may require sanding or a bonding primer to promote adhesion.

An adhesion test is recommended for all surfaces prior to installation. Adhere a 12"x12" scrap of the material being installed to an inconspicuous area. Allow to dry for 24 hours. It should be firmly adhered to the wall. When removed it should take off most if not all the drywall paper. The test is considered a failure if the test piece comes off with no adhesive transferred to the sample, or if it removes just the primer.

New Drywall or Plaster:

Joint Compound or plaster must be fully cured as per the manufacturer's specification. Surfaces must be free of any dirt or grease. All dust must be removed before the primer is applied for a proper bond. Use only acrylic primers that do not have PVAc, such as XT200+™ Primer.

Painted Drywall or Plaster:

All loose and peeling paint needs to be removed and sanded smooth. An adhesion test should be done to test the soundness of the surface. If the test area fails, the paint may need to be removed. Failure to do so will become points of potential installation failure. Refer to general notes.

Concrete or Masonry:

Masonry walls should be made as smooth as possible. Grout lines should be gone over with a mason stone, to remove any protrusions. The entire surface should be skimmed over with an appropriate compound and allowed to cure as per the manufacturer's recommendations. Primed with an acrylic primer that does not contain PVAc such as XT200+™ Primer.

Non-Porous Surfaces:

These may include metal, ceramic tile, high-pressure laminates, epoxy paint, vinyl wallcovering, and rigid sheet. 3M Fastbond™ Contact Adhesive and Spray-Lock® FRP Adhesive are preferred for smooth surfaces. Installing Korogard sheets on these surfaces may add to the smoke generation and flame spread negating the Class A fire rating.

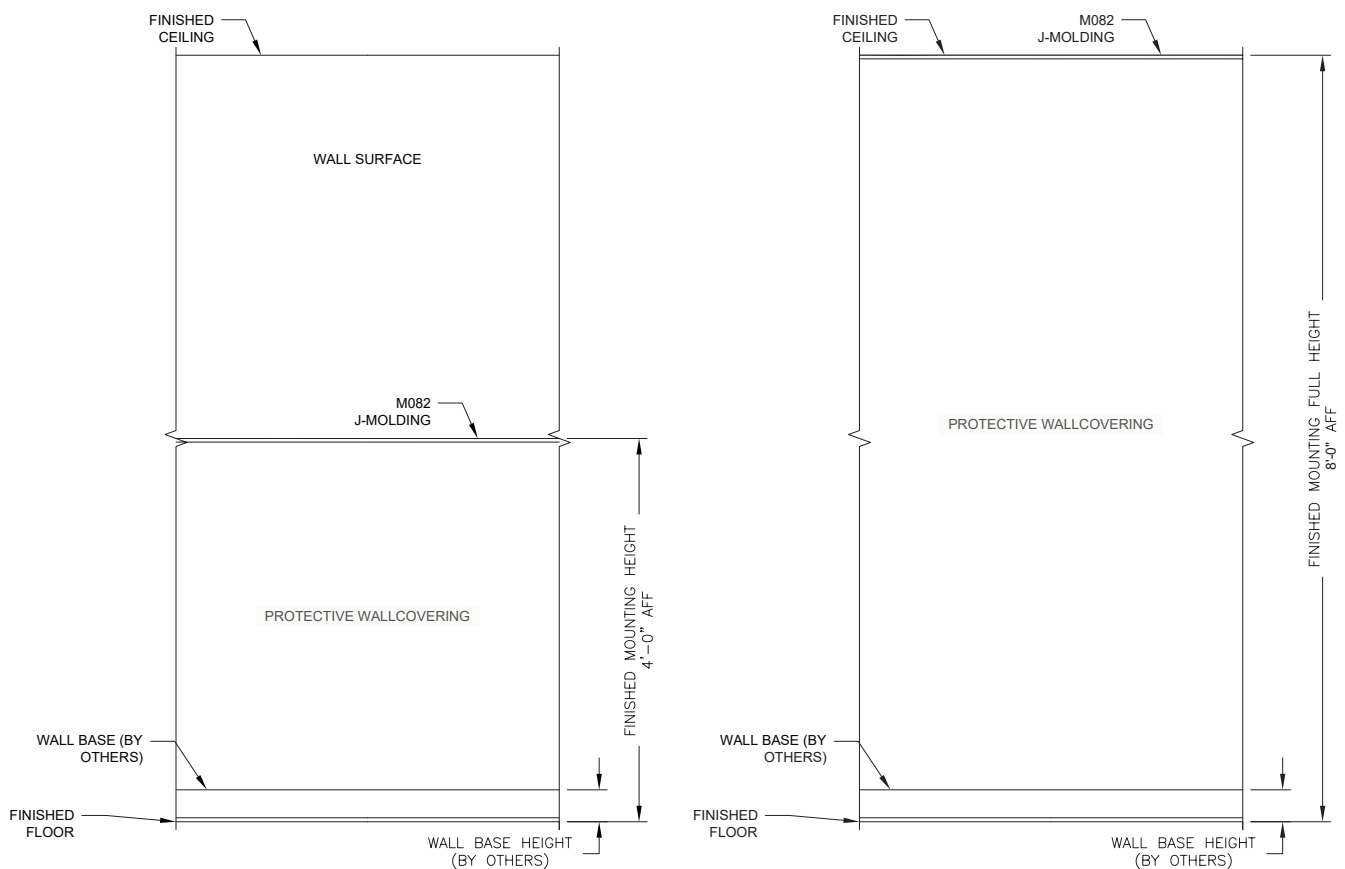
DRY FITTING SHEETS

Proper lay-out and preparation will insure a satisfactory installation of Korogard® Protective Wallcovering, Traffic Patterns, and Fusion Digital Wall Protection. Always inspect material for damages in shipping and report them to Koroseal immediately. Be sure to check for and consult with any shop drawings, location drawing or panel maps that may have been created by Koroseal or the designer.

All sheets should be acclimated to the area that they are being installed in at least 48 hours prior to installation.

Installation Lay-Out:

There are two types of sheet installation. Full Wall and Wainscot.



The first step should be plan on where you are going to start and set a level line(for wainscot) or plumb line(for full wall). Solid sheets have a texture on the face and directional arrows on the back. All arrows should be in the same direction for a uniform appearance.

TRAFFIC PATTERN INFORMATION:

Vertical patterns run on the horizontal. Wainscot installations may require that the sheets be cut in half and "soldiered" for pattern continuity. Depending on the finished height, this may offer a better material yield.

FUSION INFORMATION:

Since these are digital images, they should have been laid out in advance and a panel map will be provided to help with placement. Please verify all measurements and panels before installation. If there is any question, please check with your Koroseal representative.

DRY FITTING SHEETS



All sheet goods need to have a 1/16" (1.6mm) expansion space from any hard surface (door frames, windows, ceilings, base moldings, etc). All seams must have a 1/16" (1.6mm) gap. Interior perimeter walls and areas that will have temperature variations of greater than $\pm 10^{\circ}\text{F}$ (5.6°C) may need a gap of 1/8".

If there is any concern that the environment will fluctuate or cannot be maintained, it is recommended that a test hang of three sheets be done and inspected after three days to see what changes have occurred.

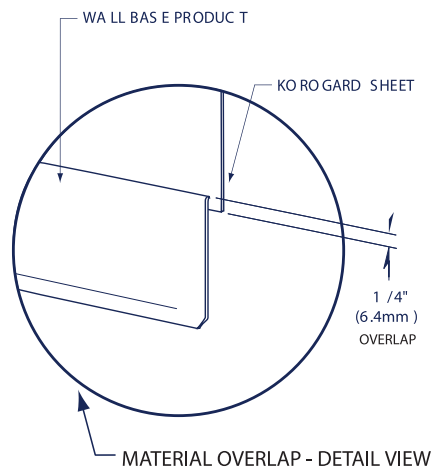
Please note that all Korogard sheets have a variation in squareness. Check each sheet before installation to verify fit before installation.

Seams and finished edges can be trimmed out with moldings (J-Cap, Divider Bar, Inside and Outside Corners) available in either aluminum or color matched plastic (see Accessory Installation and Application section). They can also be filled with a color matched caulk. Koroseal has caulk matched to all standard colors.

TRAFFIC PATTERN AND FUSION INFORMATION:

Caulk is only available in standard colors. For Traffic Patterns, a standard color will have to be chosen by the customer. For Fusion, due to the nature of digital imaging a clear caulk may be used.

Sheets should be at least 1" off the floor. Cove base can be adhered on top of the solid color sheets. Traffic Patterns and Fusion should only go 1/4" below the finished edge of cove base due to possible incompatibility of the top coat and the cove base adhesive.



Drill oversized holes around any penetrations in the sheet from Handrails, Crash rails, Corner guards, air ducts, etc., as these may inhibit natural expansion and contraction.

Avoid installing too close to heat sources such as radiators. If surfaces become too warm, adhesion failure may occur and the surface of the material may be jeopardized.

FUSION INFORMATION:

Since these are digital images, they should have been laid out in advance and a panel map will be provided to help with placement. Please verify all measurements and panels before installation. If there is any question, please check with your Koroseal representative.

ADHESIVE APPLICATION MASTIC ADHESIVE



Insufficient adhesive application is the leading cause of installation failures. Ensure that all surfaces are properly prepared, dust free, clean, and dry.

XT2000+™ Mastic Adhesive:

Be certain that all substrates are prepared as previously described in the Wall Preparation section, before applying mastic adhesive. Follow Product Acclimation and Temperature Requirements as listed previously and maintain a temperature between 65°F (18°C) and 80°F (27°C) and a humidity level less than 80%. Newly sealed walls should be completely dry in accordance with applicable manufacturer’s recommendations prior to application of mastic adhesive. Follow adhesive manufacturer’s recommended safety precautions, such as providing adequate ventilation.

Apply mastic adhesive to wall surface only. It is not necessary to apply mastic adhesive to back side of sheet. **USE ONLY RECOMMENDED TROWEL, ACCORDING TO WALL SURFACE.**

When using mastic adhesive on smooth walls or if sheets are .030 thickness or less, use only 1/16" x 1/16" x 1/16" (1.6mm x 1.6mm x 1.6mm) SQUARE-NOTCHED trowel.

When using mastic adhesive on rough walls or when material is .030 or thicker, use only 1/8" x 1/8" (3.2mm x 3.2mm) V-NOTCHED trowel.

Be sure to cover 100% of wall surface area, maintaining uniform coverage. Insufficient adhesive is the cause of most installation problems.

Allow adhesive to “flash off” some moisture. When first applied the mastic is solid white, as it dries it starts to become clearer. Due to varying conditions, it is up to the installer to determine when the adhesive has flashed off enough moisture. The adhesive is properly flashed off when it has started to turn clear but will still transfer to your finger when lightly touched. It is too dry when it has become all clear and there is no adhesive transfer.

Excess adhesive can be removed with a damp towel immediately following application. At this time, you may also want to clean your trowel. When cure time has expired, it is extremely difficult to remove adhesive from unwanted areas on your walls or in the grooves within the trowel. Dried adhesive in the trowel will affect the future use. Maintaining a constant temperature during cure time is critical. If you have any questions regarding curing time, please contact your local Korogard distributor.

SUGGESTED ADHESIVE SELECTIONS

ADHESIVE	TYPE	SMOOTH WALLS	ROUGH WALLS	APPLICATION METHOD	APPROXIMATE COVERAGE	MANUFACTURE
XT-2000+™ MASTIC	Mastic Water Based	Yes		Smooth Walls: 1/16" (1.6mm) Square Notch Trowel	125sq. ft. / gal. (3.07 m2 / lit)	Available from your local Korogard Distributor
			Yes	Rough Walls 1/8" (3.2mm) U-Notch Trowel:	80sq. ft. / gal. (1.97 m2 / lit)	

ADHESIVE APPLICATION MASTIC ADHESIVE



Insufficient adhesive application is the leading cause of installation failures. Ensure that all surfaces are properly prepared, dust free, clean, and dry.

3M Fastbond™ Contact Adhesive:

Be certain that all substrates are prepared as previously described in the Wall Preparation section, before applying mastic adhesive. Follow Product Acclimation and Temperature Requirements as listed previously and maintain a temperature between 65°F (18°C) and 80°F (27°C) and a humidity level less than 80%. Newly sealed walls should be completely dry in accordance with applicable manufacturer's recommendations prior to application of mastic adhesive. Follow adhesive manufacturer's recommended safety precautions, such as providing adequate ventilation.

Stir adhesive thoroughly before application. When using trim pieces, fit them to the sheet before applying the contact adhesive.

Using a short nap roller, apply one coat of adhesive evenly to the wall and allow to fully dry. Make sure to cut-in all corners with a trim brush. Apply a second coat, again making sure to cut-in all areas.

Using the same short nap roller apply and even coat of contact adhesive to the back of the sheets. Avoid excess rolling as this causes unevenness in the adhesive film. Wet adhesive can be removed immediately with a wet rag.

Be sure to cover 100% of wall surface area and sheets, maintaining uniform coverage. Insufficient adhesive is the cause of most installation problems.

Both the adhesive on the wall and on the sheets needs to be **completely dry**. Under the recommended conditions, this should be about 30 minutes, but it is up to the installer to make sure both surfaces are totally dry to the touch before attempting to install. **The longer you wait, the better the stronger the initial bond will be.** If panels are not installed within 3 hours of the adhesive drying, you will need to re-coat both surfaces. The entire surface of both the wall and the sheet should be glossy. Dull spots indicate insufficient adhesive and will need to be touched up.

Contact adhesive bonds immediately upon contact. It will also only bond to itself, sheets can be rolled up after adhesive has dried to help with ease of handling. Utilization of a "slip sheet" is highly recommended to prevent accidental adhesion. Scrap Korogard sheet or thin plastic sheeting work well. Once in place, roll from the center out to work out any bubbles. Maintaining a constant temperature during cure time is critical. If you have any questions, please contact your local Korogard distributor.

ADHESIVE APPLICATION CONTACT ADHESIVE



Insufficient adhesive application is the leading cause of installation failures. Ensure that all surfaces are properly prepared, dust free, clean, and dry.

Pressure Sensitive Spray Adhesive (Spray-Lock® FRP):

Be certain that all substrates are prepared as previously described in the Wall Preparation section, before applying mastic adhesive. Follow Product Acclimation and Temperature Requirements as listed previously and maintain a temperature between 65°F (18°C) and 80°F (27°C) and a humidity level less than 80%. Newly sealed walls should be completely dry in accordance with applicable manufacturer's recommendations prior to application of mastic adhesive. Follow adhesive manufacturer's recommended safety precautions, such as providing adequate ventilation.

Apply adhesive to one surface only, wall is preferred but the back of the sheet is also acceptable. Protect all surfaces from over-spray with drop cloths, spray shields, paper, or any kind of masking.

Shake aerosol can well before spraying. Remove blue safety tab to start spraying. Keep the can upright approximately 18" to 24" from the surface, aim and squeeze the trigger. Move the can back and forth moving smoothly and evenly. The adhesive is delivered by a low-pressure propellant. It should spray out in a wide mist and fall similar to snow toward the desired surface. There is a picture on the can of what the spray pattern should look like. There should be complete coverage looking similar to a "popcorn ceiling". To maintain an optimal spray pattern, remove any adhesive that mat build up on the spray tip.

Be sure to cover 100% of wall surface area maintaining uniform coverage. Insufficient adhesive is the cause of most installation problems. Too much adhesive will also cause adhesion problems. One can should be enough to install 2 sheets.

Allow adhesive to "flash-off" for 10-20 minutes. There should be no adhesive transferred to your finger with a light touch. Temperature and humidity will affect the timing. **It is up to the installer to determine when the adhesive has flashed-off enough.** Once the adhesive is ready, it can remain "open" for up to 4 hours. Make sure that no dust or dirt contaminate the surface.

Apply the sheets. You can reposition the sheets but try not to move them too much. Once in place, roll with a high pressure roller to work out all bubbles. Excess adhesive can be cleaned with water when wet, or mineral spirits when dry. Proper temperature and humidity levels must be maintained for 72 hours after installation. If you have any questions, please contact your local Korogard distributor.

Installing Sheets:

Typically, it takes at least two people to handle sheets. Once adhesive has been applied, begin to hang the first sheet using level and plumb lines that have been previously laid out. Starting from one side start smoothing the sheet carefully, patiently, and methodically removing as much trapped air as possible. When using mastic or Spray-Lock you may be able to reposition sheets to help remove trapped air. With contact cement, sheets cannot be moved at all. Once the sheet is in place begin rolling the entire surface with the high-pressure roller (i.e., Crain #333 or equivalent) starting from the center working out to the edges. Make sure ALL air is worked out from behind the sheet, several passes may need to be made.

Any adhesive residue should be removed immediately. DO NOT allow any adhesive to dry on the surface of Korogard Protective Wallcovering or on tools. Any dried adhesive should be removed using the manufacturers recommended solvent. Test any cleaning methods on a scrap piece of material before trying it on any finished areas. Rinse any solvents or cleaning agents with clean water afterwards.

Application with roller



Image Credit: robertsconsolidated.com

Application with trowel



ACCESSORY INSTALLATION & APPLICATION



Post-Installation

Joint Edge Molding Installation:

Moldings should be cut using a sharp utility knife, shears, or common power saws with standard blades designed for cutting plywood, or carbide tipped blades. When planning a job and cutting molding, leave allowances for intersecting moldings (i.e. where a Divider Bar meets J-Molding).

J-Molding (M082/JC12):

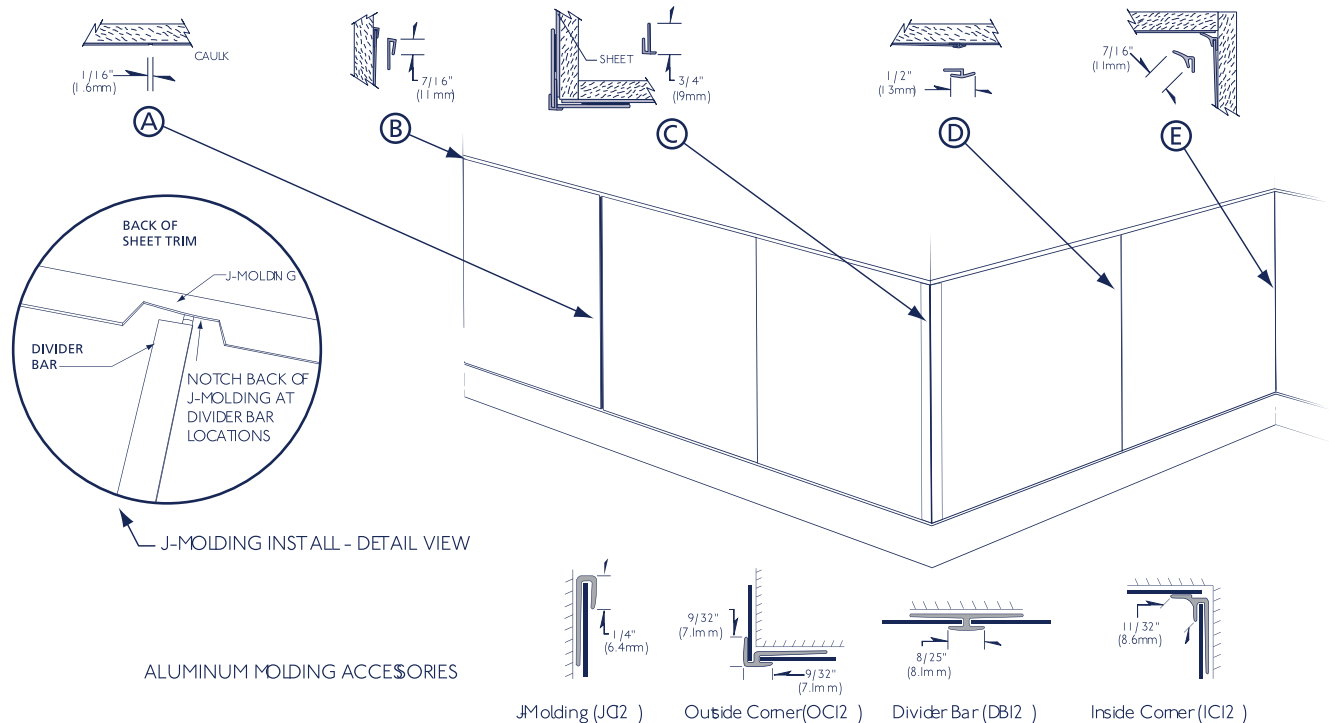
Install J- Molding by slipping over edge of Korogard Protective Wallcovering prior to high pressure rolling. After J- Molding has been installed, be sure to use a high-pressure roller (i.e. Crain #333 extension roller or equivalent) to roll all surfaces and edges of wallcovering.

Inside Corner (M083/IC12), Outside Corner (M085/OC12), & Divide Bars (M084/DB12):

Install first sheet on wall according to above directions, leaving a 1/16" (1.6mm) gap at interior corner. Slip channel of in-side corner onto one side of sheet to be installed on intersecting wall. Install this sheet with corner molding overlapping previously installed sheet. Be sure to leave a 1/16" (1.6mm) gap within molding to allow for expansion.

Trim Installation

- A. ButtJoint
- B. J-Molding (M082)
- C. Outside Corner (M085)
- D. Divider Bar (M084)
- E. Inside Corner (M083)



ALUMINUM MOLDING ACCESSORIES

J-Molding (JC12) Outside Corner (OC12) Divider Bar (DB12) Inside Corner (IC12)

POST-INSTALLATION & CLEANING



Post-Installation

Continue to maintain consistent temperature controlled environment as prescribed previously. Significant changes in temperature can result in adhesion failure.

Cleaning - General Information

Korogard sheet will retain its original beauty with reasonable handling and care. To ensure that your wallcovering maintains its original appearance, please review the following guidelines.

To clean Korogard sheet, dust it with a soft, damp cloth or chamois and wipe the surface gently. Use soap and lukewarm water to remove light dirt. After washing and rinsing, be sure to dry the surface by blotting with a damp cloth or chamois to prevent streaking and water spots.

For general (routine) cleaning, the following mild detergents and multi-purpose cleaners are recommended:

- Top Job with Ammonia
- Joy Detergent
- Janitor in a Drum
- Isopropanol
- Spic & Span
- Fantastik
- Formula 409
- All Detergent (Powder)
- Johnson's Pledge
- Mr. Clean
- Cascade
- Cleaner"

Normal cleaning methods may not remove ground in dirt or grease. To remove dirt or grease from texture valleys, a short stiff bristled brush should be used to loosen the material followed by a water rinse.

Cleaners Not Recommended

- Wisk
- Brake Fluid
- Kerosene
- Johnson's Pride
- Gasoline
- Meguiar's Carpet & Upholstery Cleaner
- Methano
- Pine-Sol
- Tetrahydrofuran
- Abrasives
- Ketones
- Endust
- Lestoil
- Cold Power Liquid
- Hexane
- Goof-Off "The Miracle Cleaner"
- Liquid All
- Dynamo
- Isopar K

Note:

The chemical composition of Goof-Off has recently been reformulated. This new formulation has been observed to have an affect on Korogard sheet. The previous formulation may be identified by the phrase "The Professional Cleaner" on the can and is produced by Valspar. This formulation is still recommended for use on Korogard sheet. The new formulation may be identified by the phrase "The Miracle Cleaner" on the can and is produced by W.M Barr & Co. Korogard is investigating suitable alternatives to the Goof-Off product.

In-Use Spot Cleaning

Tough marks or stains due to spills, graffiti, heal marks, etc., usually require cleaners such as "DWR-II," "Zep," "Write Away" and Valspar's "Goof-Off" provide good results when trying to remove graffiti marks. These are specialized spot cleaners that should be used for small areas only. A short, stiff, bristled brush may be necessary to remove some stains from the textured surface. These cleaners should also be rinsed thoroughly with clean water. Some heel marks or abrasions from rubber bumpers on carts may be removed simply by brushing without a cleaner.

The suggestions and data in this document are based on information we believe to be reliable. They are offered in good faith, but without guarantee, as conditions and methods of use of our products are beyond our control. We recommend that the prospective user determine the suitability of our materials and suggestions before adopting them on a commercial scale

CLEANING



Problem	Staining Agent	Solution
Discoloration at seams and edges of sheets.	Dried adhesive or caulking residue from installation of protective wallcovering.	Use mineral spirits, naphtha, or other commercially available solvent. Apply sparingly with a clean rag and rub in a small circular manner, being careful not to spread the adhesive over a larger area. The reactivated adhesive or caulking will be suspended in the solvent. The entire stained area should be rinsed with clean water before the solvent evaporates.
Residue from general pedestrian traffic.	Oils, soda, juice, coffee, mustard, food stains, etc.	Use a commercially available liquid cleanser (SoftScrub, Fantastik, 409, etc.) that does not include bleach or ammonia. Apply product sparingly and wipe in small circles with clean, damp rag.
Tough stains embedded in texture of sheet.	Grease, ink, blood, betadine, etc.	Use a commercially available liquid cleanser (SoftScrub, Fantastik, 409, etc.) that does not include bleach or ammonia. Apply product sparingly and scrub in small circles with a stiff nylon bristle brush. Rinse the area with clean water. Repeated treatment may be required for especially tough stains
	Permanent marker, paint, nail polish, etc.	Use a commercially available graffiti remover*. These are specialized spot cleaners that should be used for stained areas only. A stiff nylon short bristle brush may be necessary to remove some stains from the textured surface of the sheet. These cleaners should be rinsed thoroughly with clean water.
Scuff marks and black streaks on texture of sheet.	Rubber transfer from carts, gurneys, wheelchairs, heel marks, etc.	Use a stiff nylon short bristle brush with a mild soap and water solution. Repeated scrubbing may be required to remove rubber that has transferred to the textured surface of the sheet.
Dull appearance or haze.	Residue from cleaning agents not properly rinsed from wallcovering.	Use special cleaners such as Johnson Wax Step-Off and a stiff nylon short bristle brush. These cleaners should be rinsed thoroughly with clean water.

***Sources for graffiti removers:**

“Crown Anti-Vandal Spray” by Aervoe Industries
 “DWR-II” by Chemique, Inc.
 “Write Away” by Zep

800-227-0196
 609-225-4161
 877-428-9937

Do Not Use the Following Products:

Powdered cleansers (Ajax, Comet, Spic and Span, etc.)
 Ammonia based cleansers (Mr. Clean, Top Job, etc.)
 Acrylic floor strippers
 Undiluted bleach

Why Not?

Leaves a chalky residue.
 Leaves a hazy film.
 Permanently discolors surface.
 Leaves a hazy film.

The suggestions and data in this document are based on information we believe to be reliable. They are offered in good faith, but without guarantee, as conditions and methods of use of our products are beyond our control. We recommend that the prospective user determine the suitability of our materials and suggestions before adopting them on a commercial scale.

LIMITED WARRANTY



Installing Sheets:

Koroseal Interior Products warrants to its purchasers that Korogard® Protective Wallcovering will be free from any defects in material or workmanship and will meet the design criteria noted in our catalogs when properly applied and installed with adhesives recommended by Koroseal. If in the sole opinion of Koroseal, a product covered by this warranty is defective, Koroseal will replace it free of charge.

This warranty shall extend for a period of five years from the date of shipment by Koroseal Interior Products. **THIS IS IN LIEU OF ALL WARRANTIES EXPRESSED OR IMPLIED, AND IS THE SOLE WARRANTY EXTENDED BY KOROSEAL INTERIOR PRODUCTS.** The liability of Koroseal under this warranty is limited to replacement of Korogard Protective Wallcovering products and does not include any responsibility for other damages.



Korogard® and Koroseal® are registered trademarks of Koroseal Interior Products, LLC. Fantastik® is a registered trademark of S.C. Johnson & Son, Inc. Fastbond® is a registered trademark of 3M Company. Formula® 409 and SoftScrub® are registered trademarks of The Clorox Company. Spray-Lock® is a registered trademark of Interlock Industries, Inc. XT2000+™ is a trademark of Formulated Solutions, LLC.

© 2024 Koroseal Interior Products, LLC. All Rights Reserved.

koroseal.com | 855.753.5474

10 26 00

APRIL 2024