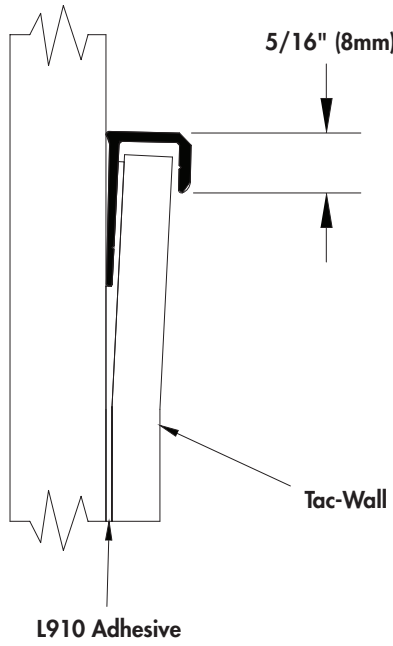
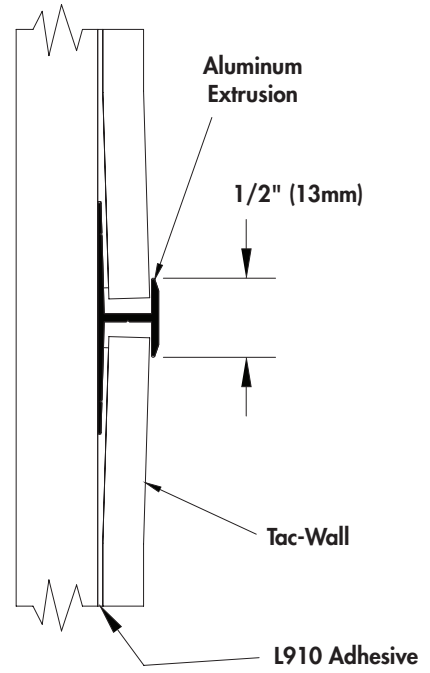


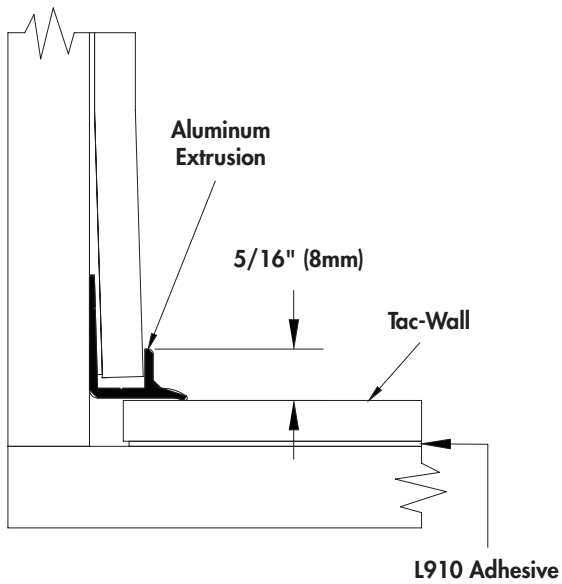
# TAC-WALL ALUMINUM TRIM INSTALLATION INSTRUCTIONS



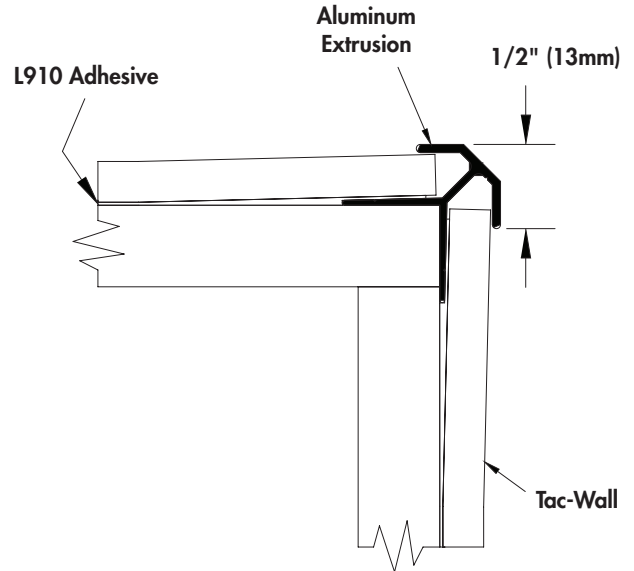
**J Trim**



**H Trim**



**Inside Trim**



**Outside Trim**

Aluminum trim may be mechanically fastened with self-tapping drywall screws or bonded with L910 adhesive or construction adhesive.