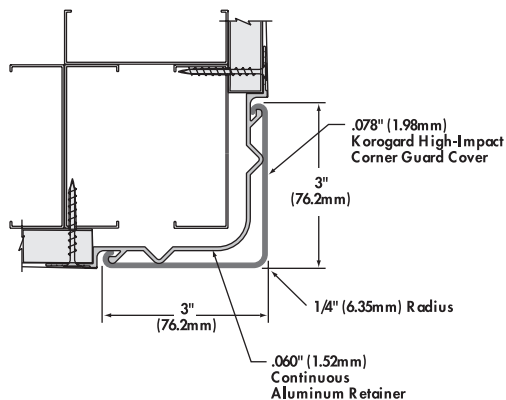
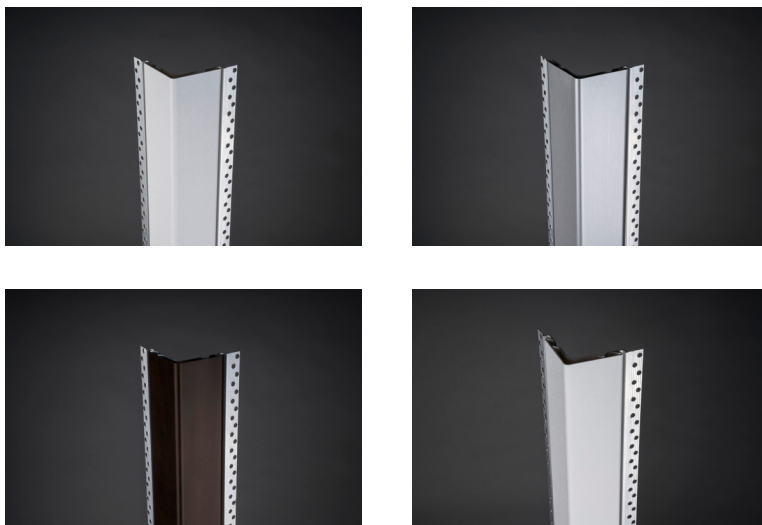


R400-SERIES RECESS-MOUNTED CORNER GUARDS

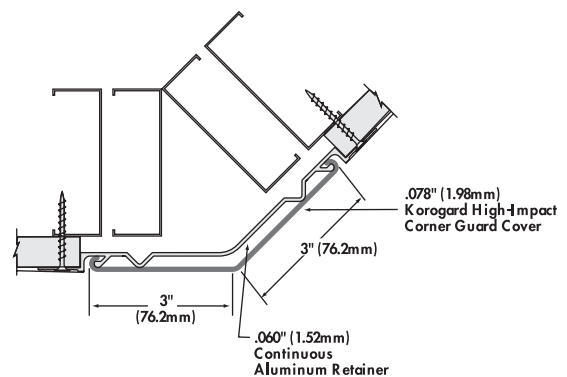
Korogard R400-Series Corner Guards consist of a formidable 3" (76.2mm) vinyl 1/4" (6.35mm) radius cover mounted over a continuous aluminum retainer. Korogard Corner Guards are an attractive and durable solution to unsightly, damaged corners. Korogard Recess-Mounted Corner Guards provide support in medium- to high-impact areas. The R400 is available as R40E, a Korogard ETS product manufactured with a unique blend of high-performance materials. The R410 Model is available for construction requiring 135° angle corners. All models are provided with a standard 4" (101.6mm) aluminum base for cove base mounting. An optional fire barrier material, mounted on the aluminum retainer, maintains a two-hour fire rating. The R400 can also be specified as R40F, which has a wood grain finish. The R10F is available in your choice of nine wood grain finishes including: American Natural, Riga Birch, Honey Maple, Red Alder, Auburn Pear, Shaker Cherry, Rustic Cherry, Chocolate Pear, and Summer Flame. A Brushed Aluminum finish is also available for the R40F.

Korogard Recess-Mounted Corner Guards are backed by a limited five-year warranty. All Corner Guards are Class A fire rated and meet national building code standards. All Korogard linear profiles color-coordinate with a multitude of Koroseal Wallcoverings for a systems approach to wall protection.

For more information on Korogard Corner Guards or the Koroseal Wall Protection System, please call your local Korogard distributor.



R400/R40E/R40F



R410

R400-SERIES RECESS-MOUNTED CORNER GUARDS

SECTION 10 26 00 CORNER GUARDS

PART 1 GENERAL

1.01 SECTION INCLUDES

- 3" (76.2mm) x 3" (76.2mm) Recess-Mounted Corner Guard Systems.

1.02 SUBMITTALS

- A. Submit in accordance with Section 01 33 00—Submittals.
- B. Product Data: Submit manufacturer's product data.
- C. Shop Drawings: Submit shop drawings showing components, dimensions, and anchorage details.
- D. Samples: Submit for approval 12" (304.8mm) long sample for each model, color, and finish specified, including base.
- E. Test Reports: Submit manufacturer's test reports and certification indicating compliance with applicable building code requirements.

1.03 QUALITY ASSURANCE

- Comply with NFPA 101[®] for interior finish materials. Smoke developed less than 450 and flame spread of 25 or less in accordance with ASTM E 84.

1.04 DELIVERY, STORAGE, AND HANDLING

- A. Delivery: Deliver materials to site in manufacturer's original, unopened containers and packaging with labels clearly indicating product name and manufacturer.
- B. Storage: Store materials in clean, dry location protected against damage of any kind.
- C. Handling: Protect materials during handling and installation to prevent damage.

PART 2 PRODUCTS

2.01 MANUFACTURER

- Koroseal Wall Protection Systems,
A Division of RJF International Corporation.

2.02 CORNER GUARD SYSTEMS

Koroseal "Korogard" R400 Series: Corner Guard mounted on continuous aluminum retainer. Exposed surfaces shall be free of wrinkling, chipping, discoloration, or other imperfections.

1. Dimensions
 - a. Leg Length: 3" (76.2mm).
 - b. Angle: 90° = R400; 135° = R410.
2. Profile: High-impact vinyl acrylic extrusion locked in place, nominal 0.078" (1.98mm) thick. Class A fire rating, when tested in accordance with ASTM E 84.
3. Extrusion: R400: Pebble grain finish; R40F: Smooth finish. Contains EPA registered Micro-Chek antimicrobial agent.
4. Retainer: Continuous 6063-T5 aluminum retainer behind entire height of Corner Guard, nominal 0.060" (1.52mm) thick.
5. Base: 4" (101.6mm) high 6063-T5 aluminum base preattached to aluminum retainer.

PART 3 EXECUTION

3.01 EXAMINATION

Verify by examination that wall surfaces are acceptable to receive the specified Corner Guard Systems. Notify the Architect in writing if wall surfaces are not acceptable. Do not begin installation until unacceptable conditions have been corrected.

3.02 INSTALLATION

- A. Install Corner Guard Systems to wall securely in accordance with manufacturer's written instructions.
- B. Install Corner Guard Systems accurately in location, alignment, and elevation.