

COMFORT ZONE WOOD ACCOUSTICAL WALL PANEL INSTALLATION INSTRUCTIONS



Comfort Zone Wood Direct Install with Screws

These installation suggestions consist of a common process for Comfort Zone Wood installation. Installers should rely upon their own professional experience and understanding of their unique requirements to ensure a successful install.

Comfort Zone Wood will look best when installed with no gaps between ends or rows.

Tools You Will Need:

Tape Measure
Pencil
Level

Circular Saw
Hand Saw
Jig Saw

Utility Knife (with sharp blade)

Materials You Will Need:

1.25" Black Drywall Screws
Furring Strips (7/8" or 2" thickness recommended)
Wall Anchor Plugs (Optional for concrete walls)

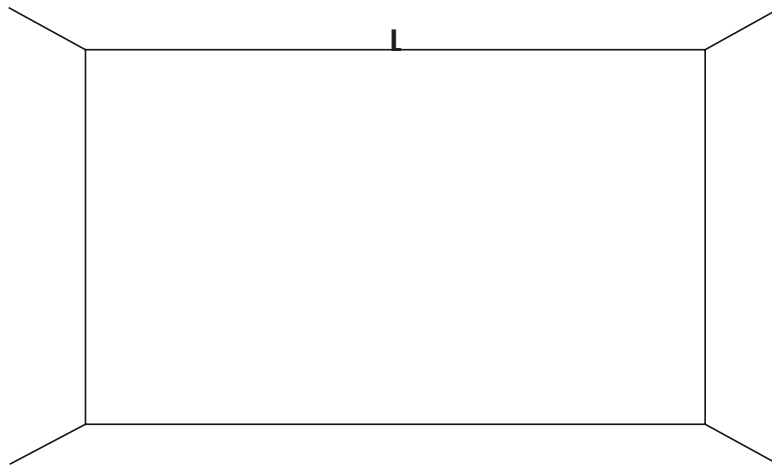
.5" Drywall Screws
Masking Tape

COMFORT ZONE WOOD ACCOUSTICAL WALL PANEL INSTALLATION INSTRUCTIONS



I. Start by preparing the ceiling. Clean the ceiling and remove any screws, nails and other obstacles. Measure the dimensions of the ceiling.

TIPS: Measure the height and width of your wall in several points as walls are often irregular with imperfect angles. Use a level. Plan to compensate by making small adjustments throughout the installation. Consider using a schluter system.



COMFORT ZONE WOOD ACCOUSTICAL WALL PANEL INSTALLATION INSTRUCTIONS



2. Position and secure Comfort Zone Wood on the wall with screws, placing them approximately every 16" to 24".

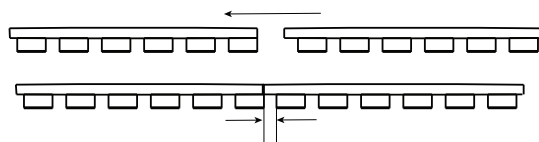
TIP: Consider using a schluter system to compensate for uneven or unlevel wall surfaces.



NOTE: Do NOT place screws on the wooden portion of Comfort Zone Wood. Only place on the PET felt portion in between wooden strips.



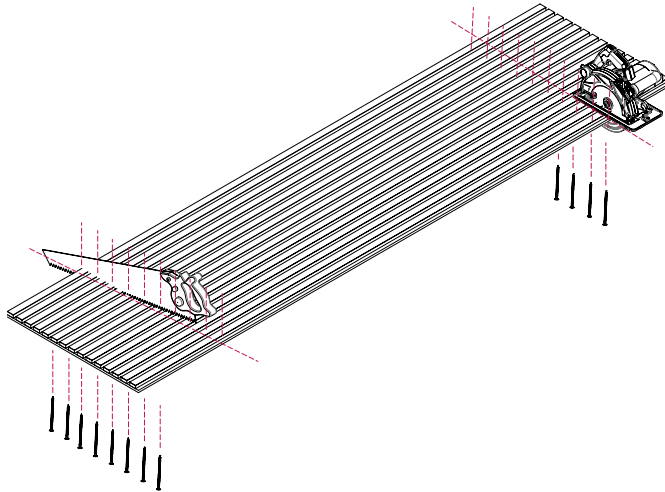
Use the premade shiplap joint to maintain even spacing and to avoid visible seams.



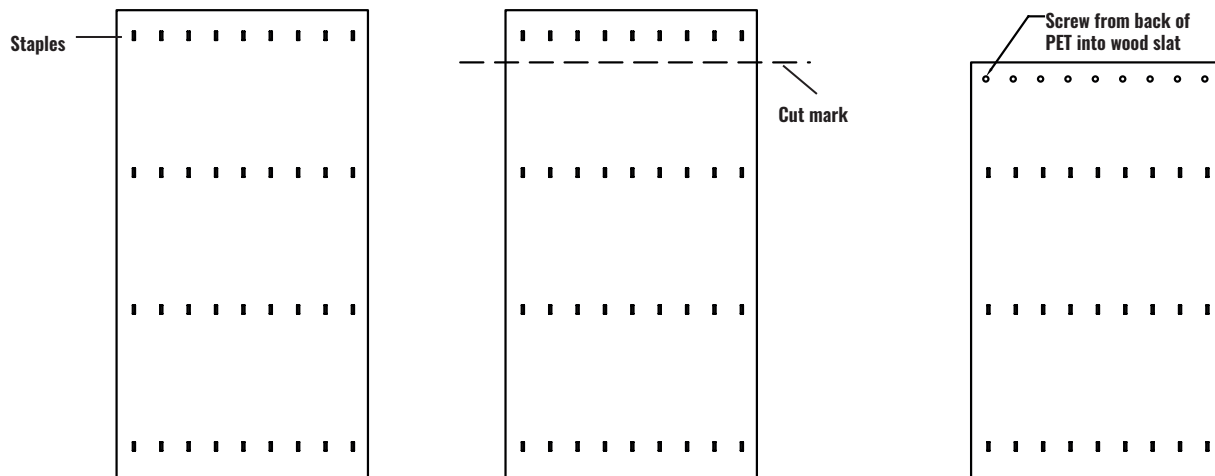
COMFORT ZONE WOOD ACCOUSTICAL WALL PANEL INSTALLATION INSTRUCTIONS



3. Cut excess material to fit the wall or accommodate obstacles, if necessary. When cutting through PET, use box knife. When cutting through wood veneer, use handsaw or jigsaw. Use masking tape to prevent splintering or splitting.



After cuts are made, reattach the wooden slats to PET backing with .5" screws, working from the backside of the panel.

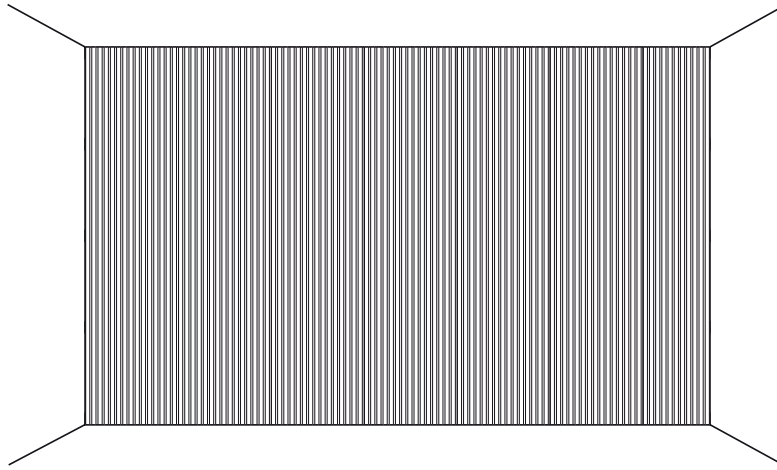


COMFORT ZONE WOOD ACCOUSTICAL WALL PANEL INSTALLATION INSTRUCTIONS



4. Repeat the process to install the rest of Comfort Zone Wood to the wall. Comfort Zone Wood will look best when installed with no gaps between ends or rows.

TIP: Spray paint electrical cover and the surrounding wall black prior to install to match.



TIP: Molding or other decorative framing options are a good way to compensate for an irregular or uneven wall surface.

COMFORT ZONE WOOD ACCOUSTICAL WALL PANEL INSTALLATION INSTRUCTIONS



Comfort Zone Wood Wall Installation with Furring Strips

These installation suggestions consist of a common process for Comfort Zone Wood installation. Installers should rely upon their own professional experience and understanding of their unique requirements to ensure a successful install.

Comfort Zone Wood will look best when installed with no gaps between ends or rows.

For best results, we recommend that an installer familiar with complex cuts complete the installation.

Tools You Will Need:

Tape Measure
Pencil
Level

Circular Saw
Hand Saw
Jig Saw

Utility Knife (with sharp blade)

Materials You Will Need:

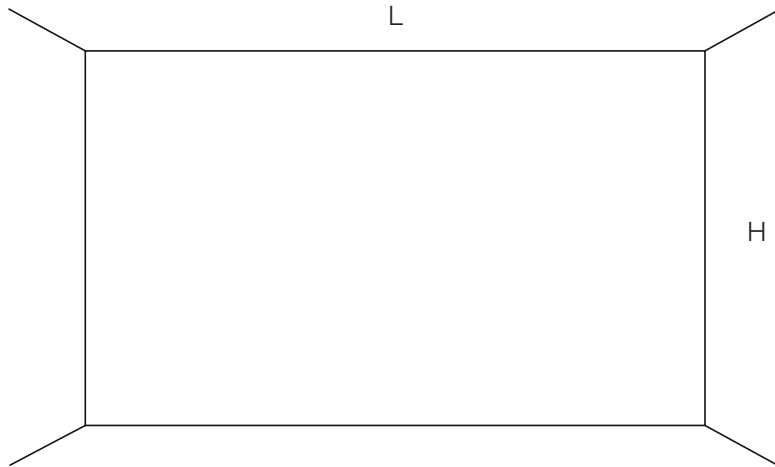
1.25" Black Drywall Screws
Furring Strips (7/8" or 2" thickness recommended)
Wall Anchor Plugs (Optional for concrete walls)

.5" Drywall Screws
Masking Tape

COMFORT ZONE WOOD ACCOUSTICAL WALL PANEL INSTALLATION INSTRUCTIONS

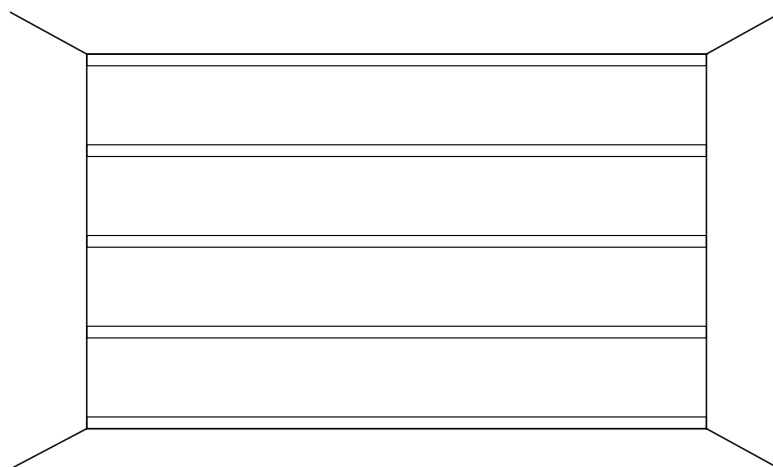


1. Start by preparing the wall. Clean the wall and remove any screws, nails or other obstacles. Measure the dimensions of the wall.

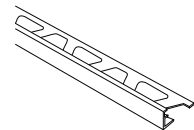


TIPS: Measure the height and width of your wall in several points as walls are often irregular with imperfect angles. Use a level. Plan to compensate by making small adjustments throughout the installation. Consider using a schluter system and decorative molding.

2. Create a framework by evenly spacing furring strips on the wall. The framework should point the opposite way of the Comfort Zone Wood direction. NOTE: The thicker the furring strips, the larger the air cavity, therefore increased



TIP: To achieve a straight, level start, carefully install furring strips or consider using a schluter system.



COMFORT ZONE WOOD ACCOUSTICAL WALL PANEL INSTALLATION INSTRUCTIONS



2. Position and secure Comfort Zone Wood on the wall with screws, placing them approximately every 16" to 24".

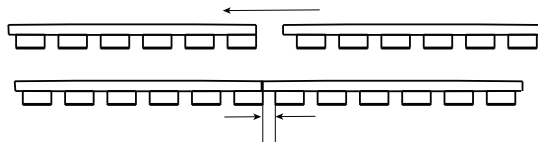
TIP: Consider using a schluter system to compensate for uneven or unlevel wall surfaces.



NOTE: Do NOT place screws on the wooden portion of Comfort Zone Wood. Only place on the PET felt portion in between wooden strips.



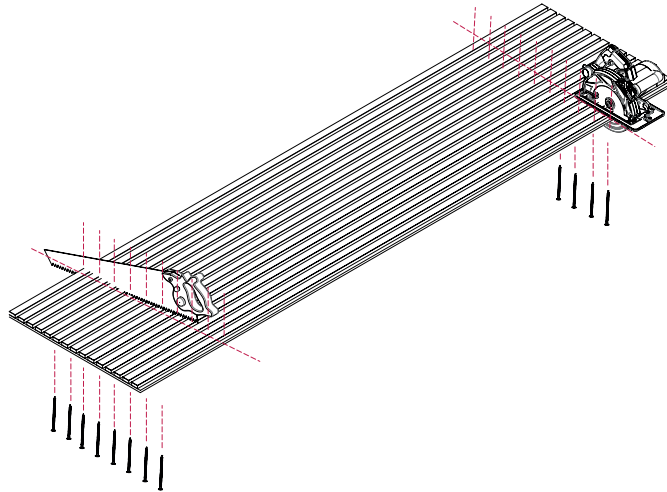
Use the premade shiplap joint to maintain even spacing and to avoid visible seams.



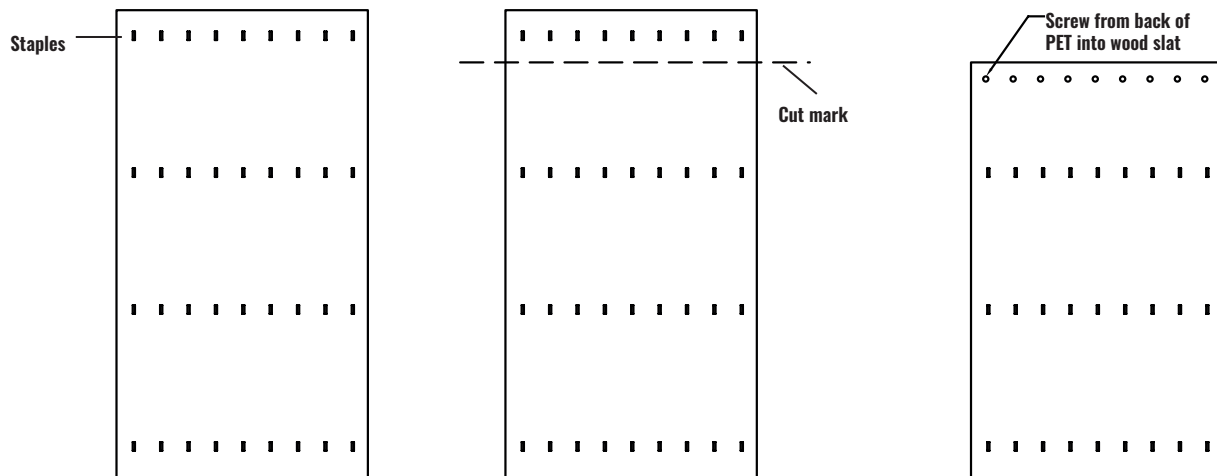
COMFORT ZONE WOOD ACCOUSTICAL WALL PANEL INSTALLATION INSTRUCTIONS



3. Cut excess material to fit the wall or accommodate obstacles, if necessary. When cutting through PET, use box knife. When cutting through wood veneer, use handsaw or jigsaw. Use masking tape to prevent splintering or splitting.



After cuts are made, reattach the wooden slats to PET backing with .5" screws, working from the backside of the panel.

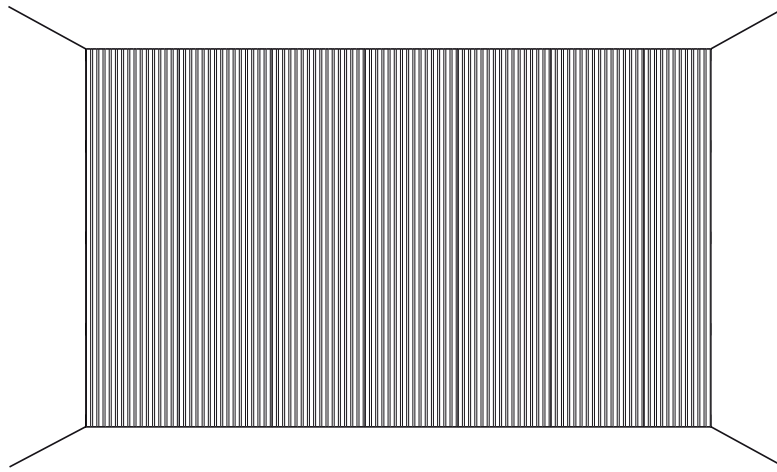


COMFORT ZONE WOOD ACCOUSTICAL WALL PANEL INSTALLATION INSTRUCTIONS



4. Repeat the process to install the rest of Comfort Zone Wood to the wall. Comfort Zone Wood will look best when installed with no gaps between ends or rows.

TIP: Spray paint electrical cover and the surrounding wall black prior to install to match.



TIP: Molding or other decorative framing options are a good way to compensate for an irregular or uneven wall surface.

COMFORT ZONE WOOD ACCOUSTICAL WALL PANEL INSTALLATION INSTRUCTIONS



Comfort Zone Wood Direct Install with Adhesive

These installation suggestions consist of a common process for Comfort Zone Wood installation. Installers should rely upon their own professional experience and understanding of their unique requirements to ensure a successful install.

Comfort Zone Wood will look best when installed with no gaps between ends or rows.

For best results, we recommend that an installer familiar with complex cuts complete the installation.

Tools You Will Need:

Tape Measure
Pencil
Level

Circular Saw
Hand Saw
Jig Saw

Utility Knife (with sharp blade)

Materials You Will Need:

Masking Tape
Nail Gun

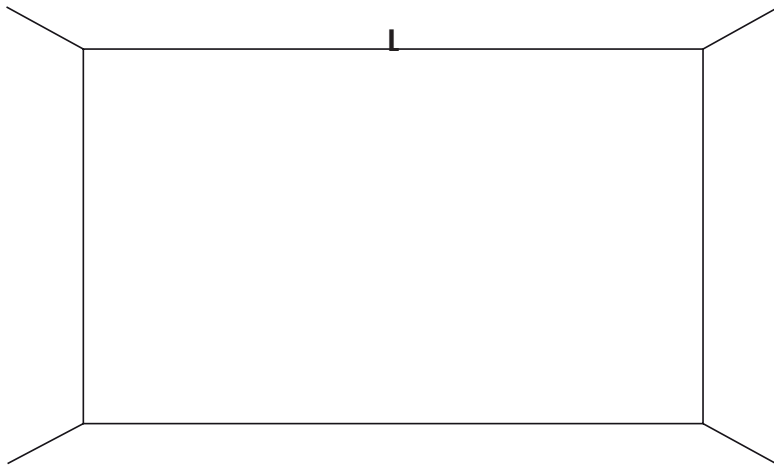
Finishing Nails
Pliers

Liquid Nail or
3095 Carpet Glue Adhesive

COMFORT ZONE WOOD ACCOUSTICAL WALL PANEL INSTALLATION INSTRUCTIONS

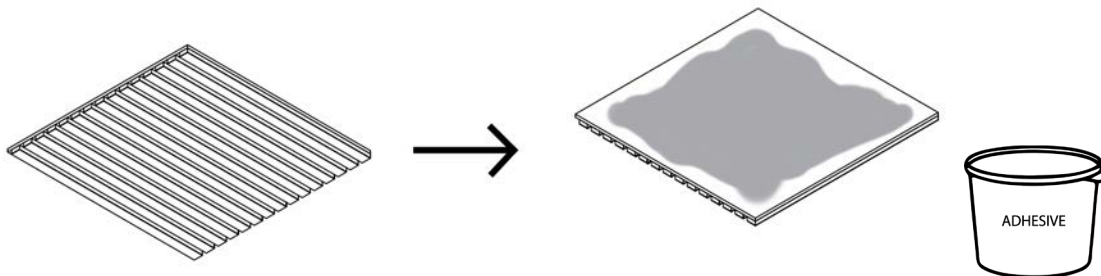


1. Start by preparing the wall. Clean the wall and remove any screws, nails or other obstacles. Measure the dimensions of the wall.



TIPS: Measure the height and width of your wall in several points as walls are often irregular with imperfect angles. Use a level. Plan to compensate by making small adjustments throughout the installation. Consider using a schluter system and decorative molding.

2. Lay each panel of Comfort Zone Wood on the ground and flip over with the wood side down. Apply adhesive to one panel at a time. Adhesive typically has 20-25 minutes of working time.



COMFORT ZONE WOOD ACCOUSTICAL WALL PANEL INSTALLATION INSTRUCTIONS



2. Position and secure Comfort Zone Wood on the wall with screws, placing them approximately every 16" to 24".

TIP: Consider using a schluter system to compensate for uneven or unlevel wall surfaces.



4. Use a nail gun to put finishing nails on the four corners to hold the Comfort Zone Wood securely to the wall until the adhesive is dry.

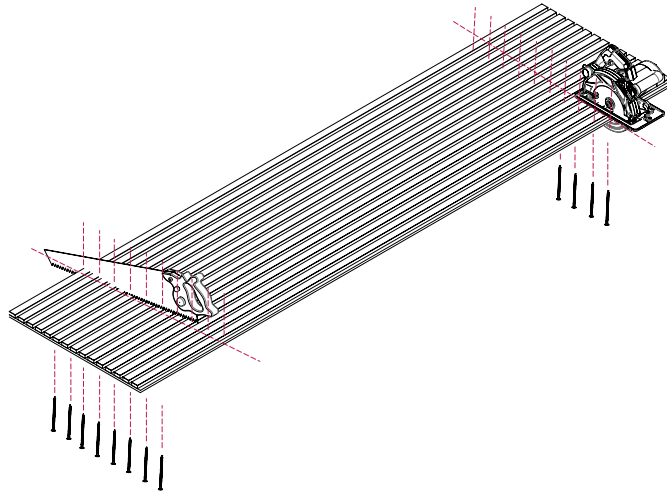
NOTE: Do NOT place screws on the wooden portion of Comfort Zone Wood. Only place on the PET felt portion in between wooden strips.



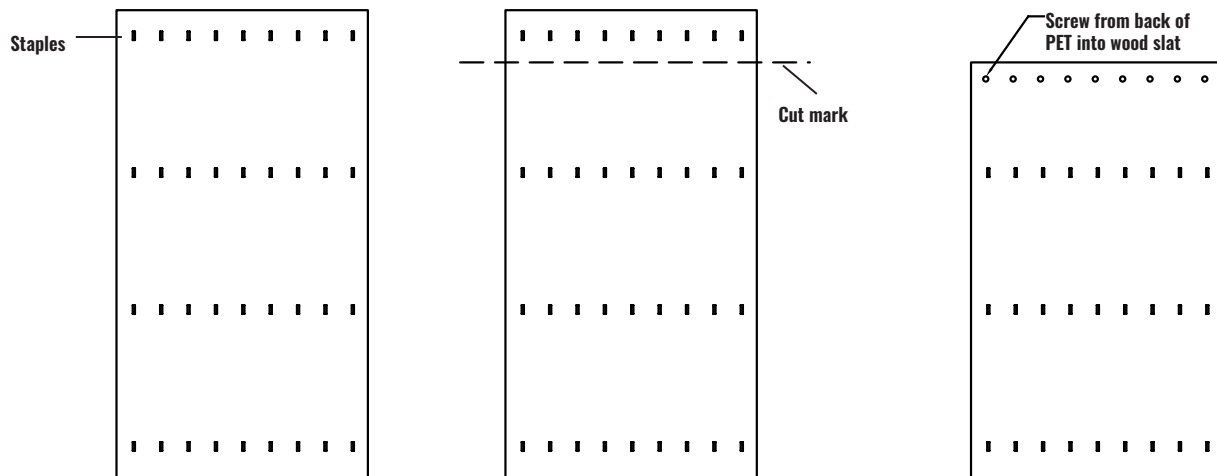
COMFORT ZONE WOOD ACCOUSTICAL WALL PANEL INSTALLATION INSTRUCTIONS



5. Cut excess material to fit the wall or accommodate obstacles, if necessary. When cutting through PET, use box knife. When cutting through wood veneer, use handsaw or jigsaw. Use masking tape to prevent splintering or splitting.



After cuts are made, reattach the wooden slats to PET backing with .5" screws, working from the backside of the panel.

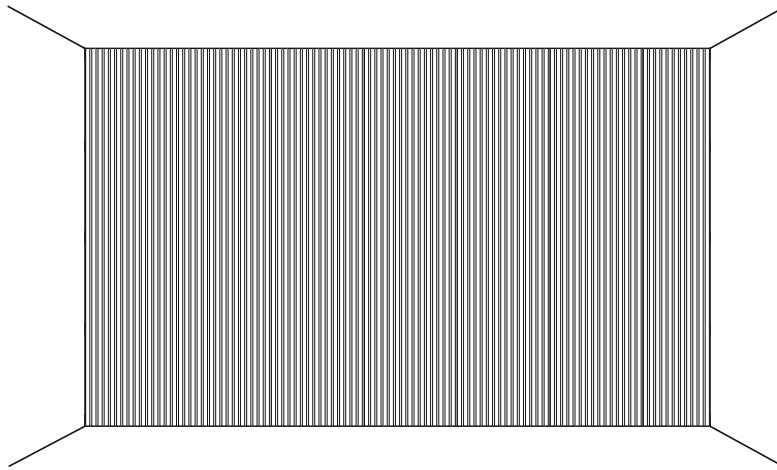


COMFORT ZONE WOOD ACCOUSTICAL WALL PANEL INSTALLATION INSTRUCTIONS



6. Repeat the process to install the rest of Comfort Zone Wood to the wall. Comfort Zone Wood will look best when installed with no gaps between ends or rows.

TIP: Spray paint electrical cover and the surrounding wall black prior to install to match.



TIP: Molding or other decorative framing options are a good way to compensate for an irregular or uneven wall surface.

7. Once adhesive has dried, use pliers to remove finishing nails.

