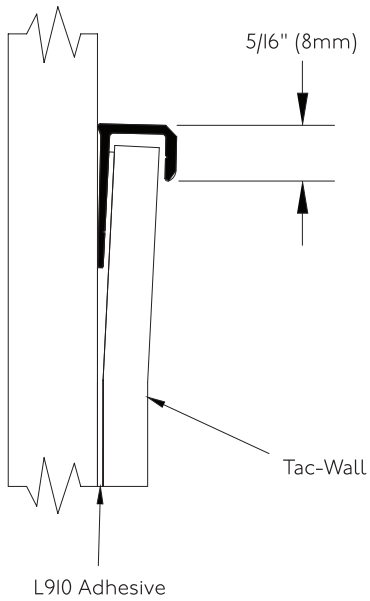
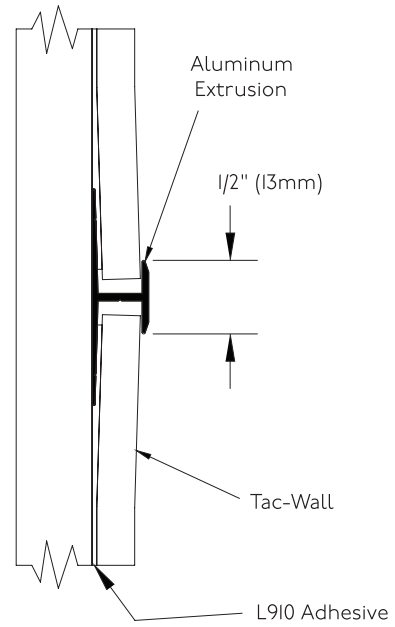


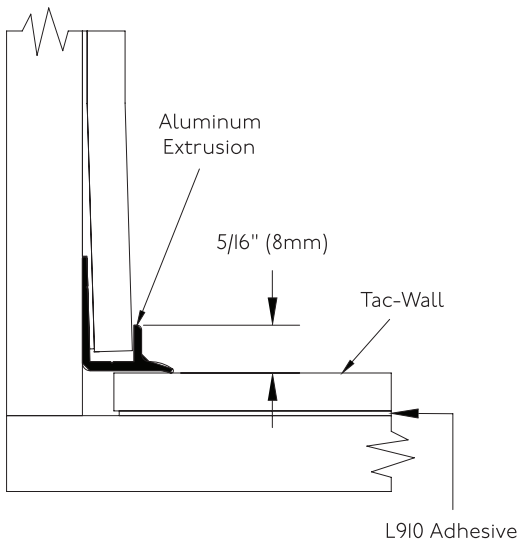
TAC-WALL ALUMINUM TRIM INSTALLATION INSTRUCTIONS



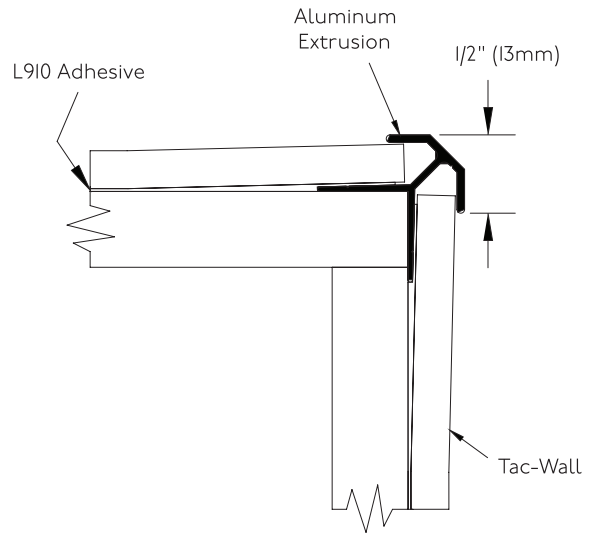
J Trim



H Trim



Inside Trim



Outside Trim

Aluminum trim may be mechanically fastened with self-tapping drywall screws or bonded with L910 adhesive or construction adhesive.