

# G815 EXTRUDED CORNER GUARD

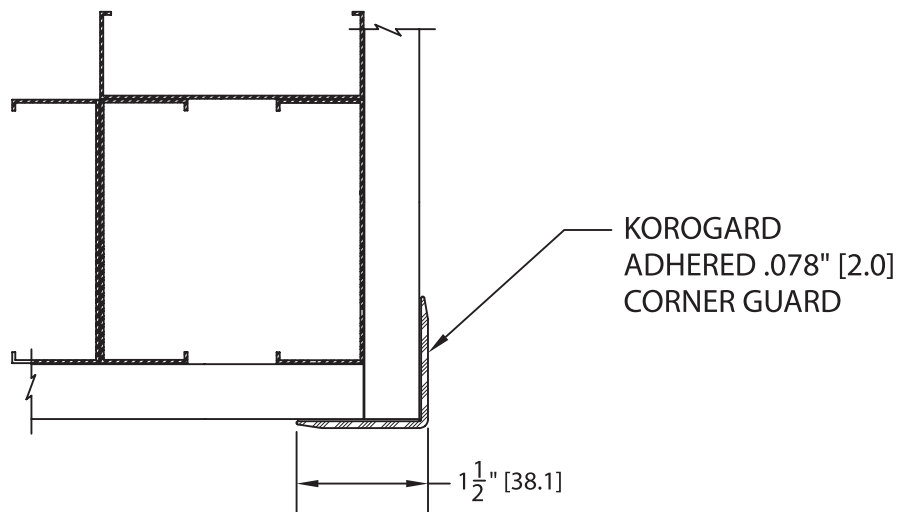


**NOTE:**

Available in 3/4" wings, no minimums (Adhesive backed optional - specify)

Standard heights - 4', 8'

Custom angles available



**G815** Extruded Corner Guard  
Scale: 1:2